

FIG. 1

HARDWARE LIST

- 1) 1/4-20X2-3/4" LG HEX HD BOLT__14-REQ'D.
- 2) 1/4-20X1/2" LG HEX HD BOLT ____4-REQ'D.
- 3) 1/4-20 HEX NUT_____18-REQ'D.
- 4) 1/4 SPLIT LOCKWASHER_____14-REQ'D.
- 5) 1/4 X 3/4 FLAT WASHER_____14-REQ'D.

ASSEMBLY INSTRUCTIONS:

- 1) LAY FLOORSTAND ASSEMBLY ON WORKBENCH WITH VERTICAL SUPPORTS AGAINST THE WORK SURFACE (SEE FIG 2).
- 2) LOCATE CROSSBRACES ON THE FLOORSTAND ASS'Y. (SEE FIG 1) AND ATTACH WITH HDWR. PROVIDED. HAND TIGHTEN.
- 3) POSITION SAFETY SWITCH AND INSERT HDWR. THRU SWITCH BOX AND MOUNTING HOLES IN CROSSBRACES. (REFER TO FIG 1)
- 4) MOVE FLOORSTAND TO LEVEL FLOOR.
- 5) POSITION TRANSFORMER ON FLOORSTAND AND FASTEN WITH HDWR. SUPPLIED.
- 6) INSTALL THE MAIN FRAME CABINET ASS'Y. PER FIG 2. AT THIS TIME ALL INSTALLED HDWR. MAY BE TIGHTENED. REFER TO DRAWING #ED-0036-AS-020-A.
- 7) CONNECT THE SEALED FLEX CONDUIT TO THE SAFETY SWITCH. CONNECT THE POWER WIRES TO THE APPROPRIATE LUGS. CONNECT THE BONDING CONDUCTOR (GRN) TO THE LUG PROVIDED.

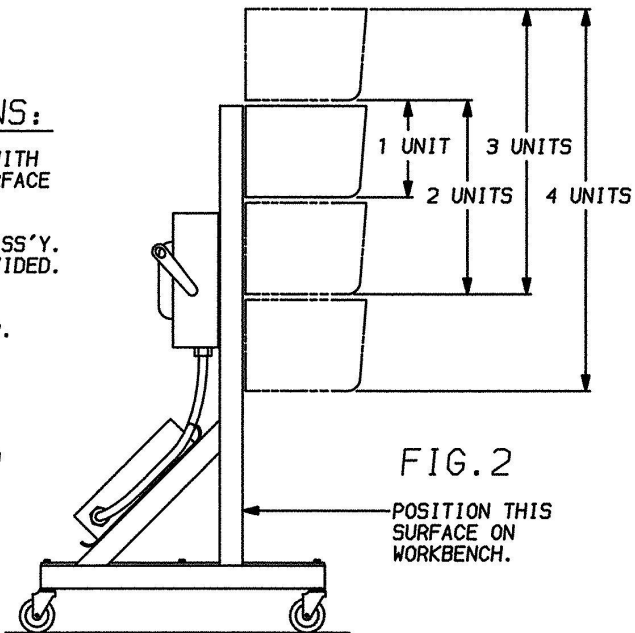


FIG. 2

		29111 STEPHENSON HIGHWAY MADISON HEIGHTS, MICHIGAN 48071 U.S.A.	
		DETAIL NAME TRANSFORMER FLOORSTAND ASS'Y INSTRUCTIONS	
ASSEMBLY NAME TRANSFORMER KIT MAINFRAME FLOOR STAND		SCALE	PROJECT NO. 1467
CHECKED S.H.W. DATE 2-26-87		CATALOG NO. / PART NO.	
APPROVED R.W.D. DATE 3-24-87		DRAWING NO. ED-0036-AS-121-D	
SHEET OF		B	

DRAWN	Deperbrock	DATE	1-6-87
CHECKED	S.H.W.	DATE	2-26-87
APPROVED	R.W.D.	DATE	3-24-87
SHEET	OF		