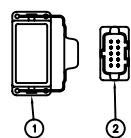


REV.	DESCRIPTION	BY	DATE
ECN-054E	B CHANGE BULLETS FOR PICO, PICOA, PICOB TO APPEAR AS 1, 2, 3 INSTEAD OF 1, 2, 3	JK	7/24/00
ECN-058A	C CHANGE CKPF-112-BG TO CKPF-112-BG (3 PLCS) ON THE MOLD END OF 5/8" 12 ZONE POWER CABLES	JK	8/6/01
ECN-0631	D CHANGE RPM0047 TO RPM0048	TL	8/10/05


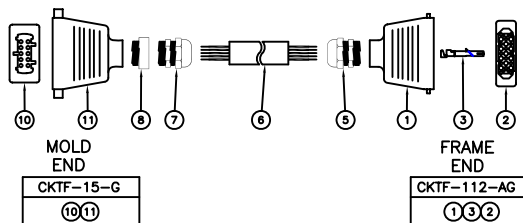
THERMOCOUPLE CABLES & MOLD CONNECTORS

POWER CABLES & MOLD CONNECTORS

**MTC5G**

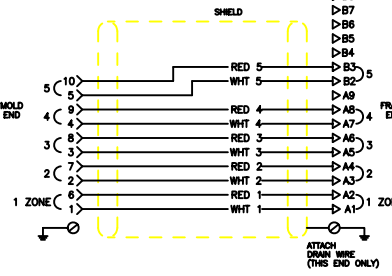
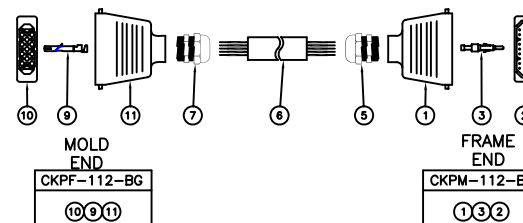


ITEM	REPLACEMENT PART NUMBER
1	RPM0059
2	RPM0062

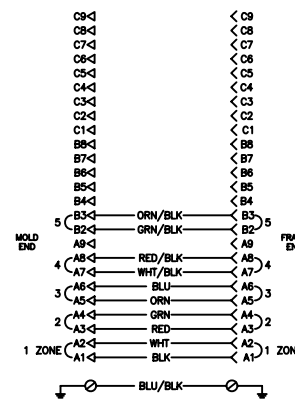
ITEM	REPLACEMENT PART NUMBER
1	RPM0071
2	RPM0073
3	PIN0220
4	RPM0081
5	RPM0075
6	RPM0081
7	RPM0084
8	RPM0065
10	RPM0068

CATALOG NUMBER	LENGTH
TC5C10G	10'
TC5C20G	20'

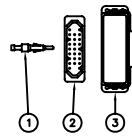



ITEM	REPLACEMENT PART NUMBER
1	RPM0071
2	RPM0072
3	PIN0114
4	RPM0081
5	RPM0078
6	RPM0081
7	PIN0214
8	RPM0073
10	RPM0071

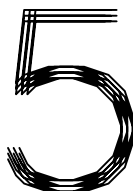
CATALOG NUMBER	LENGTH
MPC5C10G	10'
MPC5C20G	20'



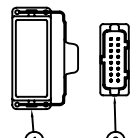
**PIC5G**



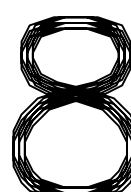
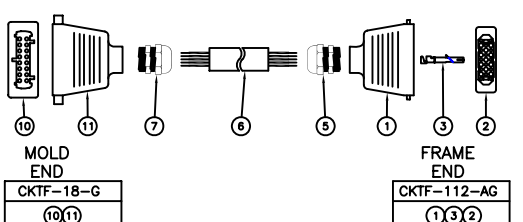
ITEM	REPLACEMENT PART NUMBER
1	PIN0114
2	RPM0072
3	RPM0074



**MTC8G**

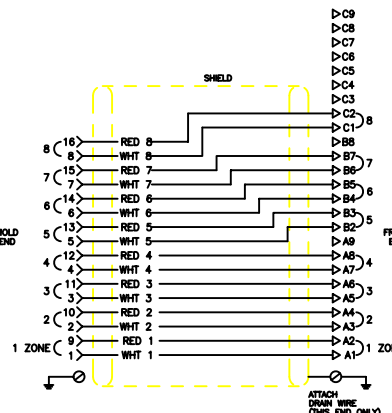
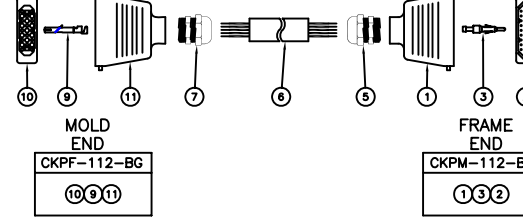


ITEM	REPLACEMENT PART NUMBER
1	RPM0060
2	RPM0063

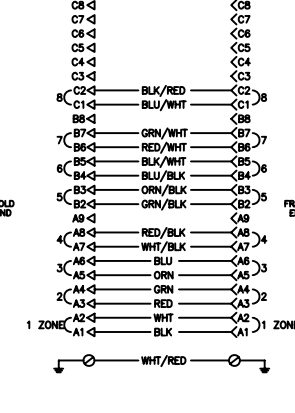
ITEM	REPLACEMENT PART NUMBER
1	RPM0071
2	RPM0073
3	PIN0220
4	RPM0081
5	RPM0076
6	RPM0081
7	RPM0084
8	RPM0066
10	RPM0069

CATALOG NUMBER	LENGTH
TC8C10G	10'
TC8C20G	20'

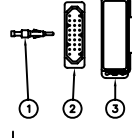



ITEM	REPLACEMENT PART NUMBER
1	RPM0071
2	RPM0072
3	PIN0114
4	RPM0082
5	RPM0079
6	RPM0082
7	PIN0214
8	RPM0073
10	RPM0071

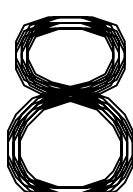
CATALOG NUMBER	LENGTH
MPC8C10G	10'
MPC8C20G	20'



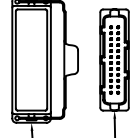
**PIC8G**



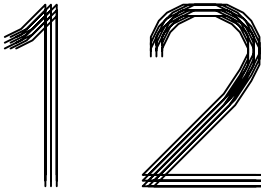
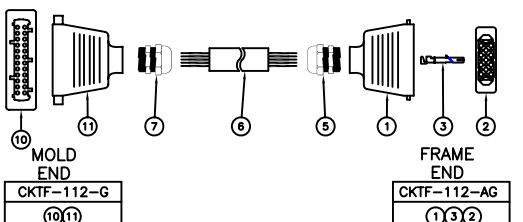
ITEM	REPLACEMENT PART NUMBER
1	PIN0114
2	RPM0072
3	RPM0074



**MTC12G**

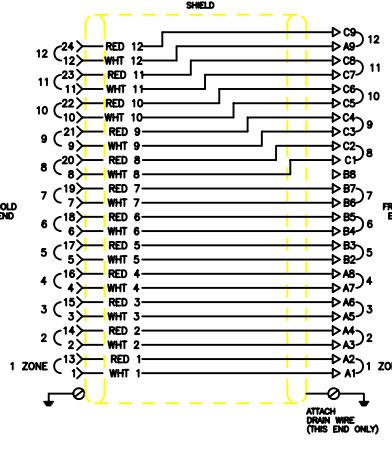
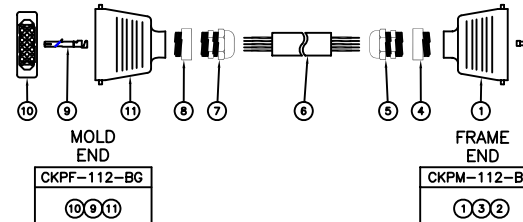


ITEM	REPLACEMENT PART NUMBER
1	RPM0061
2	RPM0064

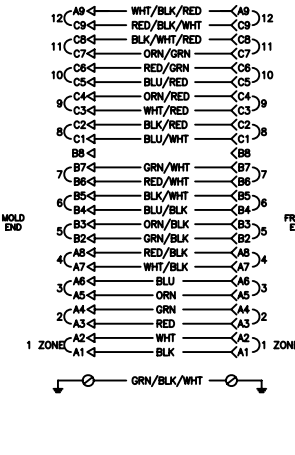
ITEM	REPLACEMENT PART NUMBER
1	RPM0071
2	RPM0073
3	PIN0220
4	RPM0081
5	RPM0077
6	RPM0081
7	RPM0067
10	RPM0070

CATALOG NUMBER	LENGTH
TC12C10G	10'
TC12C20G	20'

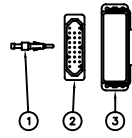



ITEM	REPLACEMENT PART NUMBER
1	RPM0071
2	RPM0072
3	PIN0114
4	RPM0085
5	RPM0083
6	RPM0080
7	RPM0083
8	RPM0085
9	PIN0214
10	RPM0073
11	RPM0071

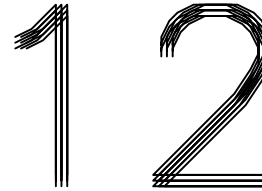
CATALOG NUMBER	LENGTH
MPC12C10G	10'
MPC12C20G	20'



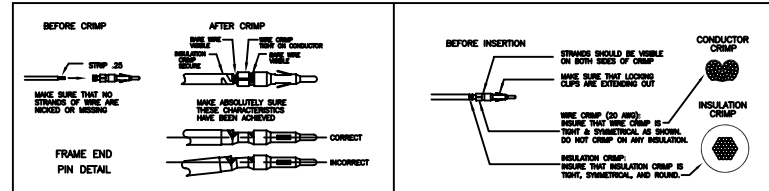
**PIC12G**



ITEM	REPLACEMENT PART NUMBER
1	PIN0114
2	RPM0072
3	RPM0074



CRIMP TOOL FOR PINXXXX SERIES CRIMP CONTACTS	WHT1919
EXTRACTION TOOL FOR PINXXXX SERIES CONTACTS	RPM0048



CRIMP TOOL FOR PINXXXX SERIES CRIMP CONTACTS	WHT1919
EXTRACTION TOOL FOR PINXXXX SERIES CONTACTS	RPM0048

**D-M-E COMPANY** 29111 STEPHENSON HIGHWAY  
MADISON HEIGHTS, MICHIGAN 48071 U.S.A.

DETAIL NAME: REPLACEMENT PARTS FOR CABLES  
ASSEMBLY NAME: POWER & THERMOCOUPLE CABLES  
PROJECT NO.: ED-0031

CHECKED: DATE: 11/8/99  
APPROVED: DATE: \_\_\_\_\_  
SHEET: \_\_\_\_\_ OF \_\_\_\_\_

DRAWING NO.: ED-0031-DT-188-D

This document is proprietary to D-M-E Company, and is not to be used, circulated, reproduced, copied or disclosed in any manner whatsoever without the prior specific written permission of an authorized official of D-M-E Company.