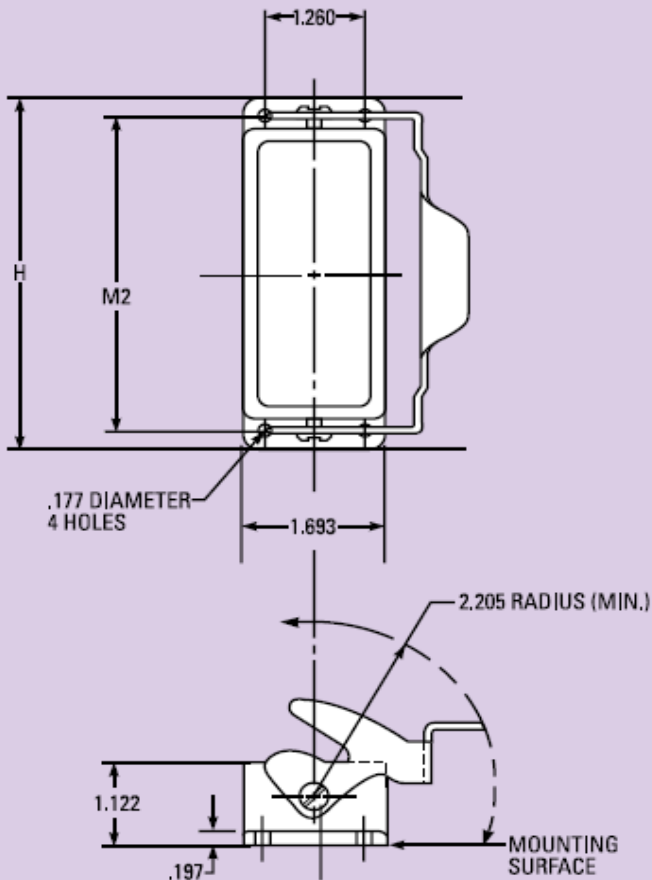


MOLD THERMOCOUPLE CONNECTOR

MTC-5-G

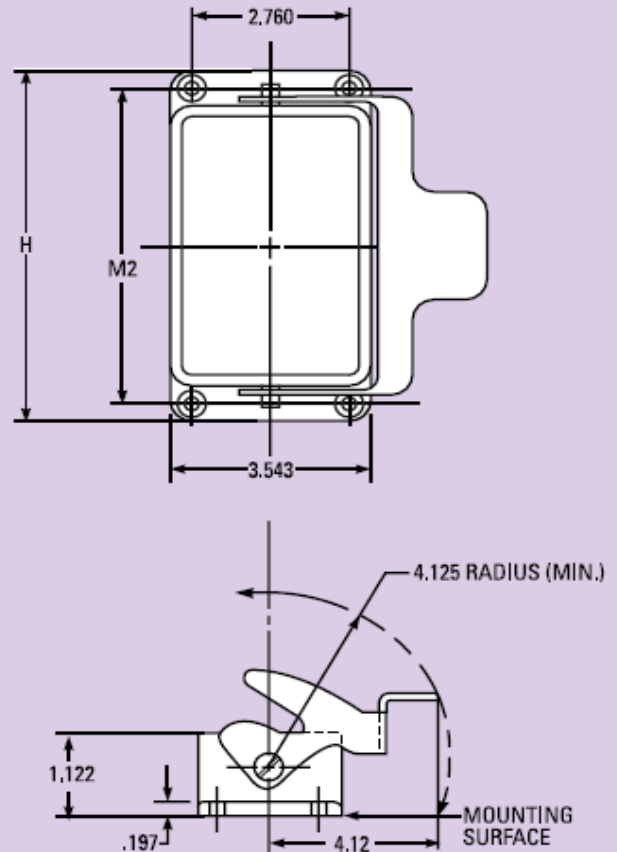
MTC-8-G

MTC-12-G



NOTE: DIMENSIONS SHOWN ARE FOR THE MTC5-G, MTC8-G AND MTC12-G CONNECTORS

MOLD POWER AND THERMOCOUPLE CONNECTOR TPC-0001



NOTE: MOLD POWER INPUT CONNECTOR PICH-23-G IS DIMENSIONALLY IDENTICAL TO MTC-8-G

ITEM NUMBER	NUMBER OF PINS	DIMENSION	
		M2	H
MTC-5-G	10	3.268	3.662
MTC-8-G	16	4.055	4.449
MTC-12-G	24	5.118	5.512
TPC-0001	48	5.827	6.496