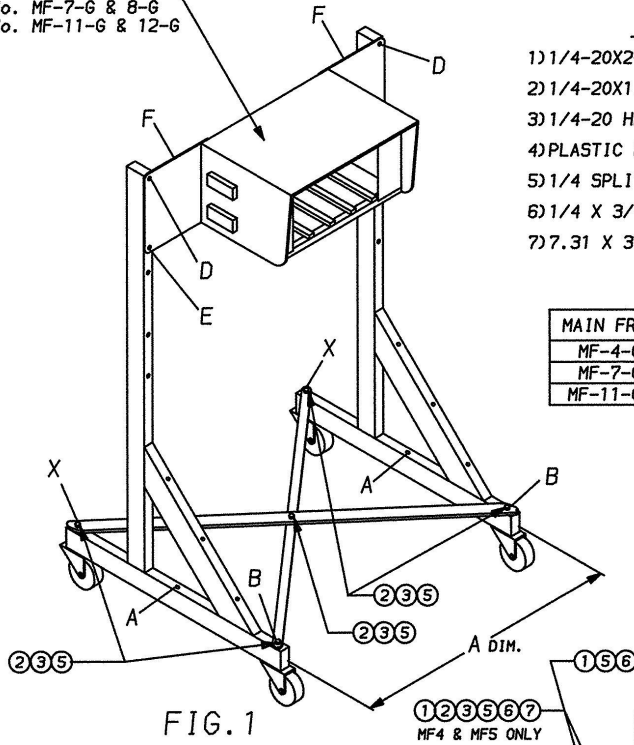


PT.No. MF-4-G & 5-G
 PT.No. MF-7-G & 8-G
 PT.No. MF-11-G & 12-G



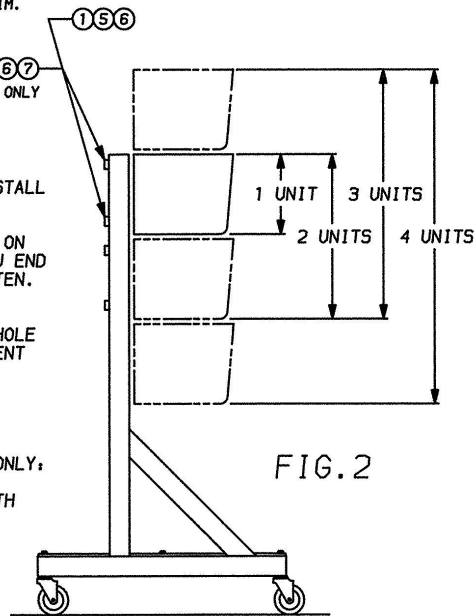
HARDWARE LIST

- 1) 1/4-20X2-3/4" LG HEX HD BOLT __6-REQ'D.
- 2) 1/4-20X1.0" LG HEX HD BOLT __9-REQ'D.
- 3) 1/4-20 HEX NUT _____9-REQ'D.
- 4) PLASTIC END CAP _____6-REQ'D.
- 5) 1/4 SPLIT LOCKWASHER _____13-REQ'D.
- 6) 1/4 X 3/4 FLAT WASHER _____4-REQ'D.
- 7) 7.31 X 3.87 X .12 PLATE ____2-REQ'D.

MAIN FRAME TYPE	A-DIM C/L	USE HOLE
MF-4-G & 5-G	19.188	B
MF-7-G & 8-G	19.188	B
MF-11-G & 12-G	27.188	A

ASSEMBLY INSTRUCTIONS:

- 1) LAY CROSSBRACES AT AN ANGLE (SEE FIG 1) AND INSTALL HDWR. (CENTER HOLE ONLY) - HAND TIGHTEN.
- 2) PLACE RIGHT SIDE UPRIGHT AND LAY CROSSBRACES ON WELDMENT AT 90° (SEE FIG 1) INSTALL HDWR. THRU END HOLE X OF BRACE AND RIGHT SIDE AND HAND TIGHTEN.
- 3) SELECT HOLE (A OR B) FOR DESIRED FLOORSTAND WIDTH (SEE CHART) AND INSTALL HDWR. THRU END HOLE OF BRACE AND SELECT HOLE ON RIGHT SIDE WELDMENT (SEE FIG 1).
- 4) REPEAT STEPS 2 AND 3 FOR LEFT SIDE ASSEMBLY (REFER TO FIG 1).
- 5) SPECIAL INSTRUCTIONS FOR MF4 & 5 FLOORSTAND ONLY: SECURE THE ADAPTOR PLATES (F) (SEE FIG 1) TO REAR OF MF4 & 5 CABINET AND SECURE WITH HDWR. PROVIDED. (SEE FIG 2)
- 6) INSERT 2-3/4" LONG BOLTS THRU HOLES D AND E IN VERTICAL SUPPORTS OF RIGHT AND LEFT SIDE WELDMENTS. (SEE FIG 1) INSTALL SPACER WASHERS PROVIDED. (NOT REQ'D. ON MF4 & 5) LOCATE MAIN FRAME ASS'Y. OVER BOLTS AND HAND TIGHTEN. ON MF4 & 5 USE HEX NUTS PROVIDED. (SEE FIG 1)
- 7) MOVE ENTIRE ASSEMBLY TO LEVEL FLOOR AND SECURE ALL HARDWARE AT THIS TIME.



D-M-E COMPANY 29111 STEPHENSON HIGHWAY
 MADISON HEIGHTS, MICHIGAN 48071 U.S.A.

DETAIL NAME FLOORSTAND ASS'Y INSTRUCTIONS
 ASSEMBLY NAME UNIVERSAL MAINFRAME FLOOR STAND

SCALE NONE PROJECT NO. 1467
 CATALOG NO. 7 PART NO.
 DRAWING NO. ED-0036-AS-120-C

DRAWN <i>Dependable</i>	DATE 1-6-87
CHECKED S.H.W.	DATE 2-26-87
APPROVED R.W.D.	DATE 3-24-87
SHEET _____ OF _____	