



OPTIM Mold Service Table



YOUR MOLD WILL ALWAYS HAVE
THE BEST SEAT AT THE TABLE

1,5 TO 3 TONS
25-15, 25-20 & 25-30 MODEL



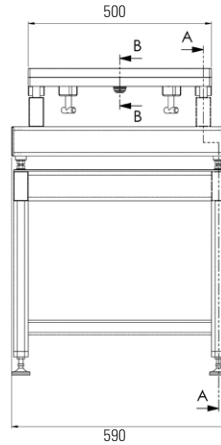
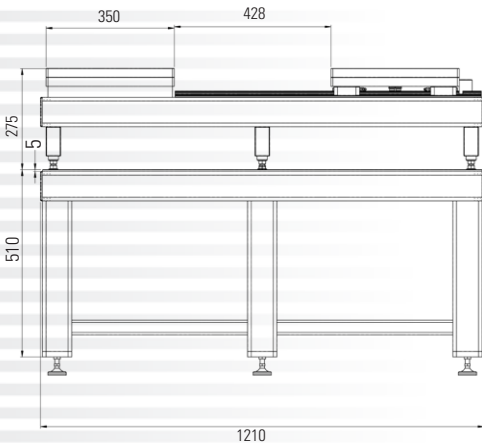
OPTIM Mold Service Table

This new generation of mold service table is specifically designed to:

- Quickly and safely open molds
- Providing access to all parts of the mold for assembly/fitting of components, repair, maintenance, cleaning and production preparation
- Allows the mold to be opened and rotated without the use of cranes
- Rotates 360° for easy access to each mold half with indexing every 90°
- Four (4) standard models available; 1500kg, 2000kg, 3000kg & 6000kg
- Base platform provides a working height of 850mm (33.46")

PART NUMBER
OPTIM2530-850AL

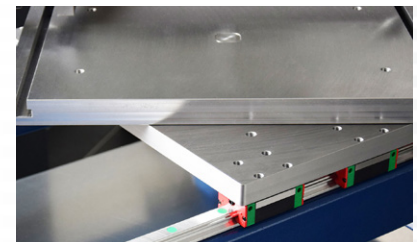
Includes:
Table w/ pivot plates
Platform
Tool Plate



1.5 - 3.0 Ton Models

Dimensions

Length	1200mm (47.24")
Width	600mm (23.62")
Height	850mm (33.46")
Pivot plate dimensions	500mm (19.68") x 350mm (13.78")
Opening Stroke	450mm (17.72")



PIVOT PLATES

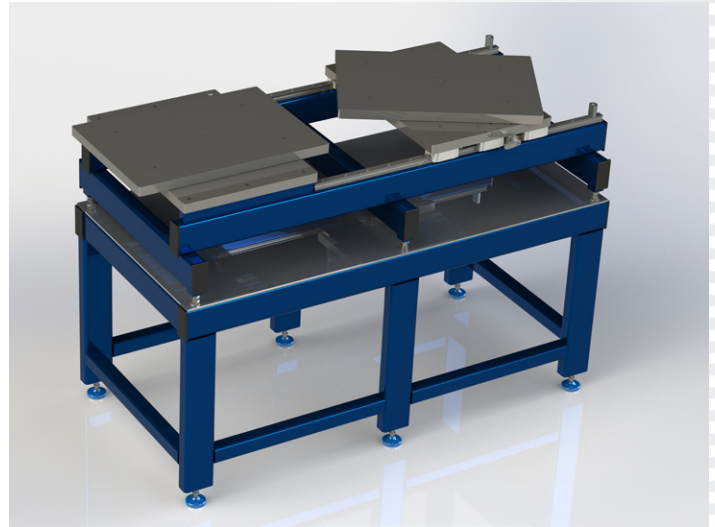


MECHANICAL BRACKET

Model	Description
OPTIM2515	Optim Table max 1500kg
OPTIM2515-850AL	Optim 2515 + Base Platform + AL Toolplate
OPTIM2515-850ALMB	Optim 2515 + Base Platform + AL Toolplate + Mechanical Bracket
OPTIM2520	Optim Table max 2000kg
OPTIM2520-850AL	Optim 2520 + Base Platform + AL Toolplate
OPTIM2520-850ALMB	Optim 2520 + Base Platform + AL Toolplate + Mechanical Bracket
OPTIM2530	Optim Table max 3000kg
OPTIM2530-850AL	Optim 2530 + Base Platform + AL Toolplate
OPTIM2530-850ALMB	Optim 2530 + Base Platform + AL Toolplate + Mechanical Bracket

1.5 TO 3.0 TONS

25-15, 25-20 & 25-30 MODEL



ADVANTAGES

- Top pivot plates easily rotates 360° with locking indexing every 90°
- Mobile pivot plate can be locked into position at the end of opening stroke
- Pivot plates allows the Mold and Plates to be separated and rotated without the use of cranes

OPTIONS

- Base platform provides a working height of 850mm (33.46") includes adjustable feet to adjust working height
- Base platform is available with or without the aluminum tool plate
- Mechanical Brackets to support plates
- Magnetic Brackets to support plates
- T-Slots on pivot plates



Maxi load :
1500 kg
2000kg
3000kg



Length : 1210mm
Width : 590mm



Plates dimensions : 500mm x 350mm

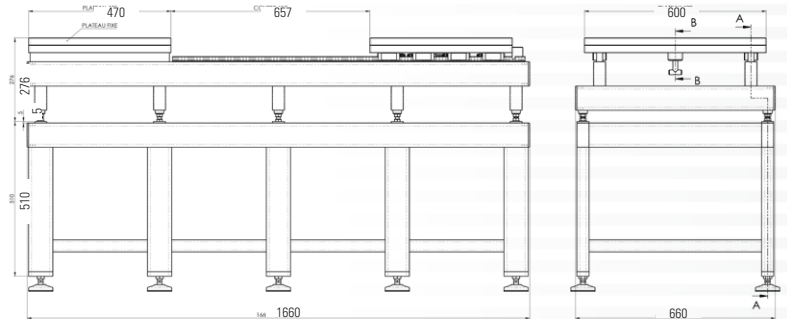


Working height without
extension table : 275mm



Opening stroke : 428mm

6 TONS
25-60 MODEL



Model	Description
OPTIM2560	Optim Table max 6000 kg
OPTIM2560-850AL	Optim 2560 + Base Platform + AL Toolplate
OPTIM2560-850ALMB	Optim 2560-850ALMB + Base Platform + AL Toolplate + Mechanical Bracket

- ADVANTAGES**
- Top pivot plates easily rotates 360° with locking indexing every 90°
 - Mobile pivot plate can be locked into position at the end of opening stroke
 - Pivot plates allows the Mold and Plates to be separated and rotated without the use of cranes

- OPTIONS**
- Base platform provides a working height of 850mm (33.46") includes adjustable feet to adjust working height
 - Base platform is available with or without the aluminum tool plate
 - Mechanical Brackets to support plates
 - Magnetic Brackets to support plates
 - T-Slots on pivot plates



Maxi load : 6000kg



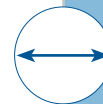
Lenght : 1660mm
Width : 660mm



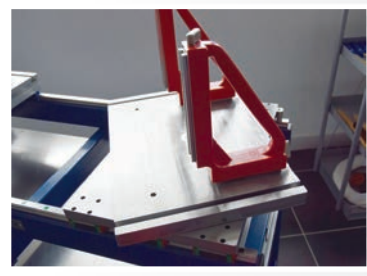
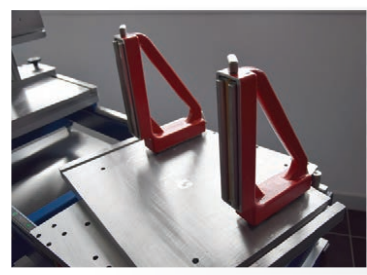
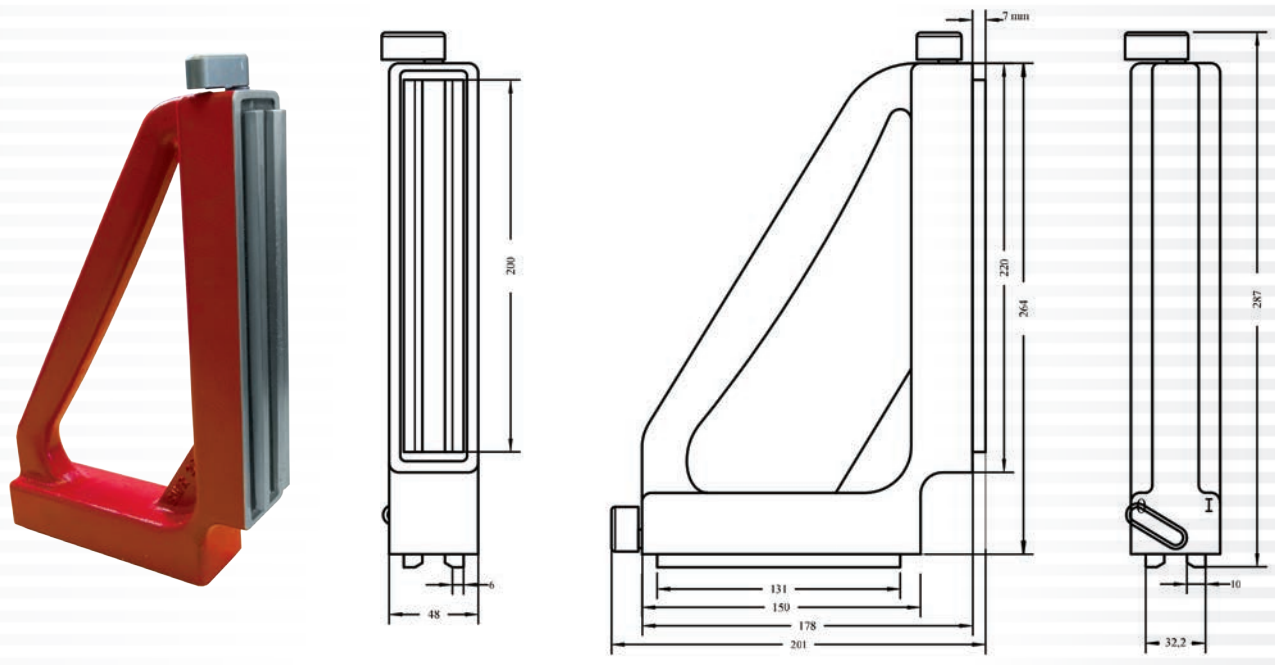
Plates dimensions : 600mm x 470mm



Working height without extension table : 276mm



Opening stroke : 657mm



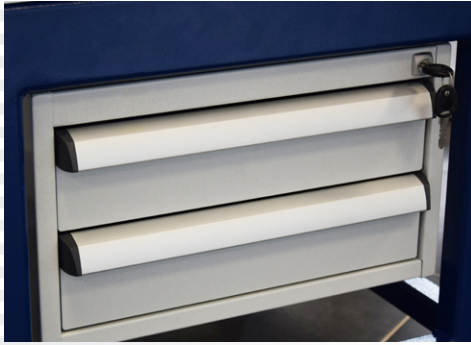
Magnetic Mold Support System Details:

- Allows adjustable positioning / support of plates
- Magnetic force de-activation/activation system
- Not appropriate for tools with floating plates

Part No.	Description
OPTIMEQMAG120090	Magnetic Bracket 135L x 125W x 38H
OPTIMEQMAG150090	Magnetic Bracket 165L x 165W x 45H
OPTIMEQMAG180090	Magnetic Bracket 195L x 195W x 45H
OPTIMEQMAG260090	Magnetic Bracket 285L x 195W x 45H
OPTIMEQMAG130225	Magnetic Bracket 150L x 150W x 38H
OPTIMEQMAG180225	Magnetic Bracket 205L x 205W x 45H

OPTIONS

OPTIONAL DRAWER UNIT



DRAWER UNIT



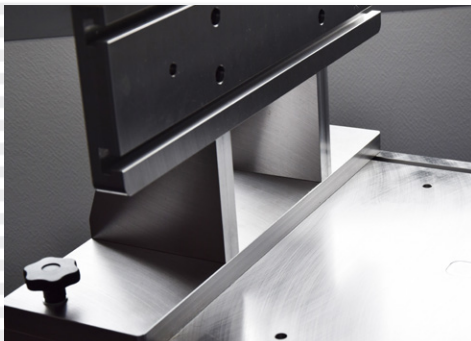
DRAWER UNIT ON 3-TON TABLE



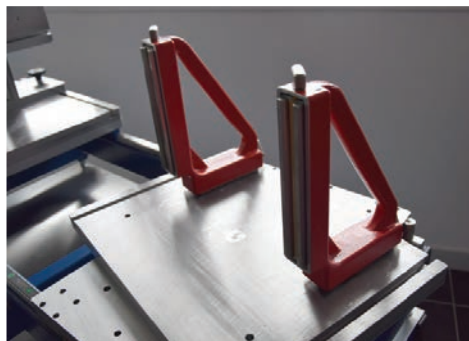
DRAWER UNIT ON 6-TON TABLE



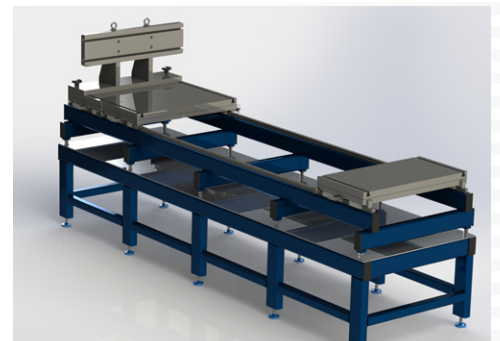
OPTIONAL PARTS & LENGTHS



MECHANICAL BRACKET



MAGNETIC BRACKET



SPECIAL LENGTH WITH MECHANICAL BRACKET



SAFETY
Employee safety
Equipment protection
Reduction of work load



PRODUCTIVITY
Time-saving
Ease of implementation
Space-saving



STANDARD CAPACITY RANGE
1500 kg, 2000 kg, 3000kg, 6000kg
Other custom-made products
by request



Easy Order 24/7
eSTORE
store.milacron.com



Easy Set-up
@dme.net





World Headquarters

DME Company LLC

29111 Stephenson Highway
Madison Heights, MI 48071

800-626-6653 *toll-free tel*

248-398-6000 *tel*

888-808-4363 *toll-free fax*

www.dme.net *web*

dme@dme.net *e-mail*

DME of Canada Ltd.

6210 Northwest Drive
Mississauga, Ontario
Canada L4V 1J6

800-387-6600 *toll-free tel*

905-677-6370 *tel*

800-461-9965 *toll-free fax*

dme_canada@dme.net *e-mail*

DME Mexico / South America

Circuito el Marques Notre, No.55
Parque Industrial El Marqués
El Marqués, Querétaro, CP 76246

52.442.713.5666 *tel*

dme_mexico@milacron.com

Shop online 24/7.

