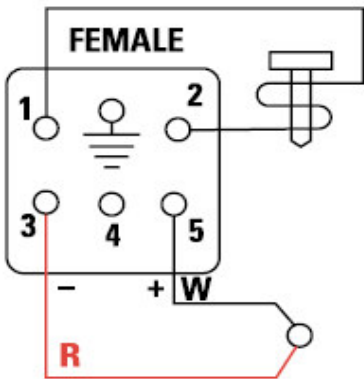
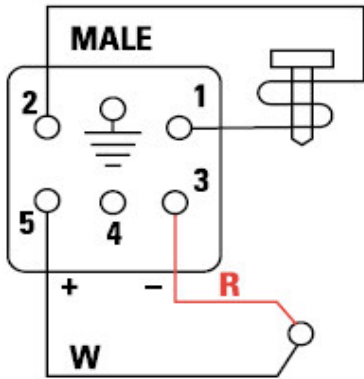


**W  
I  
R  
I  
N  
G  
D  
I  
A  
G  
R  
A  
M  
S**



**DME 15 AMP 6 PIN CRIMP SQUARE CONNECTOR**

**6 PIN 15 AMP SQUARE CONNECTOR WIRING DIAGRAM  
CRIMP PIN STYLE CONNECTOR**

*NOTE: NOT COMPATIBLE WITH 5 PIN SCREW 10 AMP CONNECTOR*



**MFFPR-2G**



**PTC0110 & PTC0120**



**PTC-2-TBG-TS**