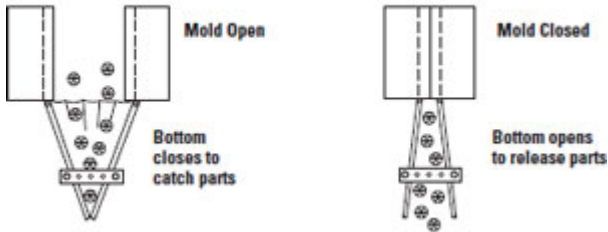


Mold Skirts

Please email completed form to: dmeus-csspecials@dme.net

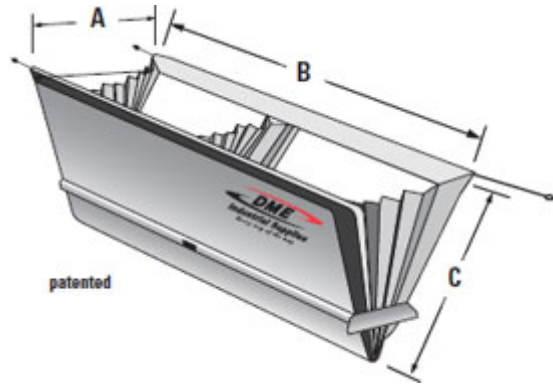
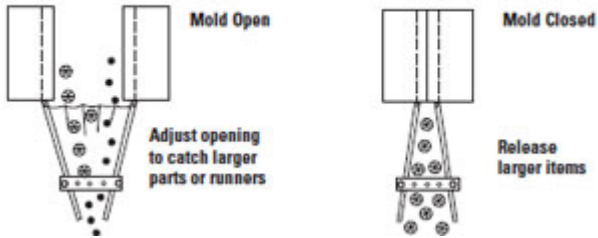
Soft Drop Application



Protects delicate molded parts

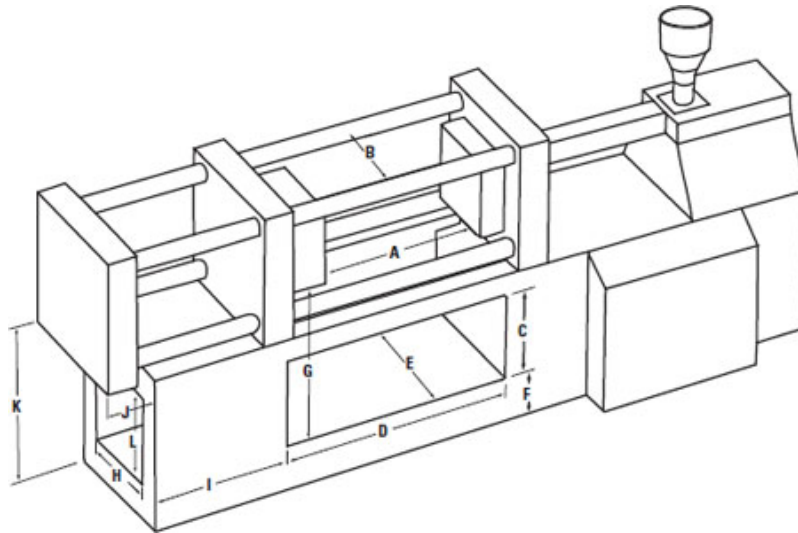
Delayed drop guideskirts provide a soft, delayed, controlled drop of molded parts - prevents damage and increases output of delicate molded parts.

Part/Runner Separation



Call For Pricing!

Please provide all required dimensional details for a rapid quotation for your machine.



A: Mold open	_____	F: Floor to opening	_____
E: Width of opening	_____	I: End to opening	_____
C: Height of opening	_____	L: Height of end opening	_____
D: Length of opening	_____	H: Width of opening	_____

Company: _____
 Contact: _____
 Address: _____
 City: _____ State: _____
 Zip: _____
 Country: _____

Account Number: _____
 PO #: _____ Job #: _____
 Phone: _____
 Fax #: _____
 E-mail: _____