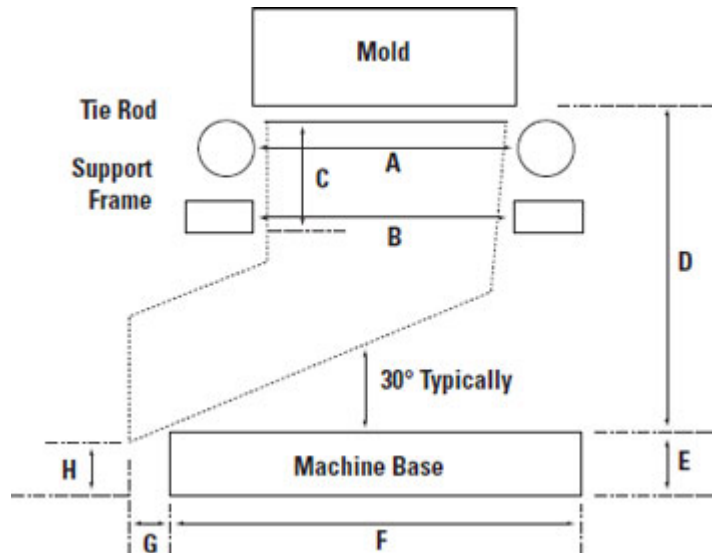


Guideskirt Quote Request Form

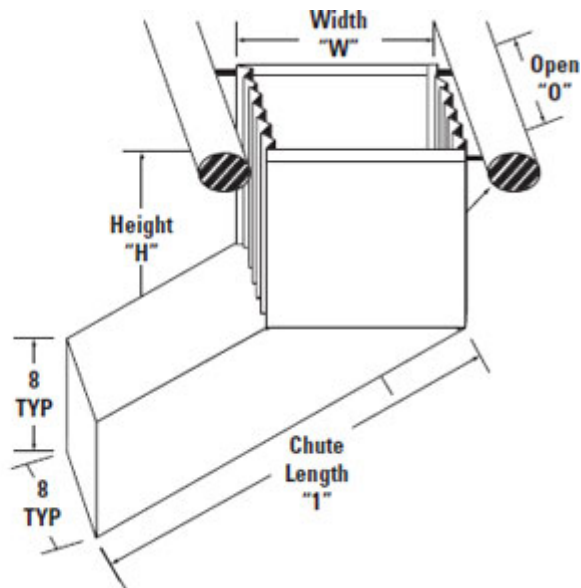
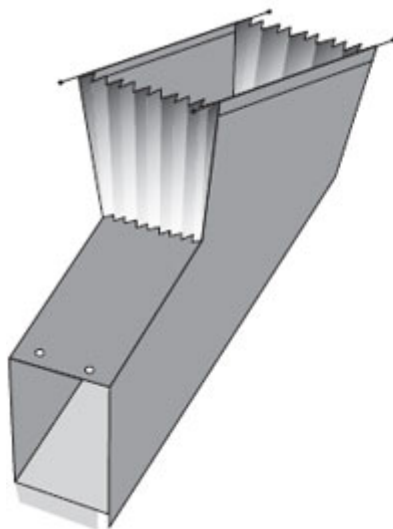
Company Name: _____
 Account Number: _____
 Contact Person: _____
 Address: _____
 City, State, Zip: _____
 Phone, Fax: _____
 Email: _____

Please email completed form to:
dmeus-csspecials@dme.net

1. Soft Chute Guideskirt Detachable Guideskirt
2. Mold Opening (daylight): (MAX is 24") _____
3. (A) Width between Tie Rods: _____
4. (B) Width between Frame: _____
5. (C) Clearance Height: _____
6. (D) Machine Clearance mold to base: _____
7. (E) Base to floor: _____
8. (F) Width of base: _____
9. (G) Desired extension past base: _____
10. (H) Desired discharge height: _____
11. Size of Parts: _____ L x _____ W x _____ H
12. Runner system: No Yes
13. Size: _____
14. Do you require high-temp material?
 (for parts over 180°): No Yes
15. Quantity: _____



ALL dimension must be completed in order to receive a quotation



Detachable Guideskirt has a Stainless Steel tray on the bottom of the chute with a cushion insert

All guideskirts come with mounting hardware. Hardware includes straight brackets (for attaching to the mold) and right angle brackets (for mounting below the mold)