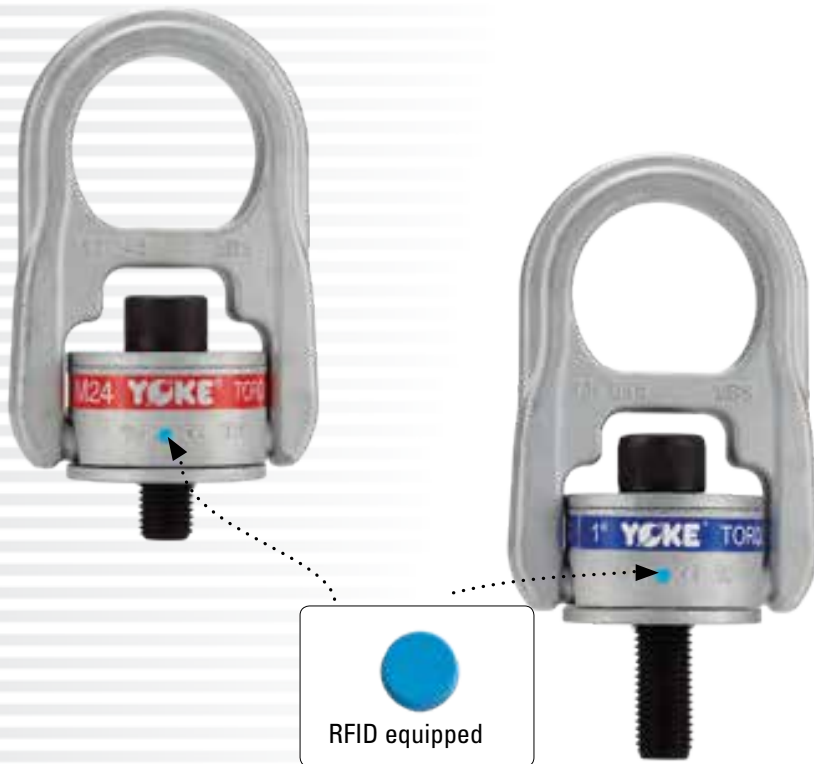


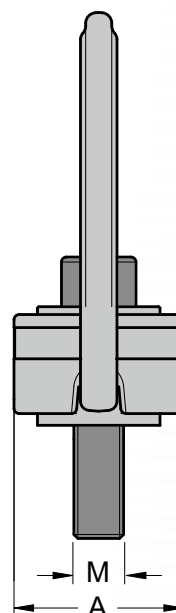
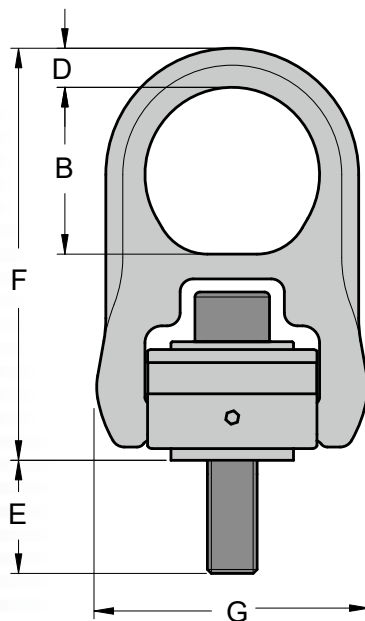


Yoke Eyebolts & Hoist Rings

HOIST RING (WITH ALLOY STEEL WASHER)



- Rotates through 360° and pivots 90°
- Manufactured from alloy steel, quenched and tempered
- Tested in accordance with EN1677-1
- Certified by DGUV GS-0A 15-04
- Load rated parts are 100% magnaflux cracked detected
- Individual forged parts and cap screw are traceable to Test Certification
- Bolt threads are metric
- Proof tested to 2.5 times the WLL (Working Load Limit)
- Fatigue rated to 20,000 cycles at 1.5 times the WLL
- All YOKE Lifting points meet or exceed all the requirements of ASME B30.26
- Quick and simple assembly, just a tapped hole is required



HOIST RING (WITH ALLOY STEEL WASHER)

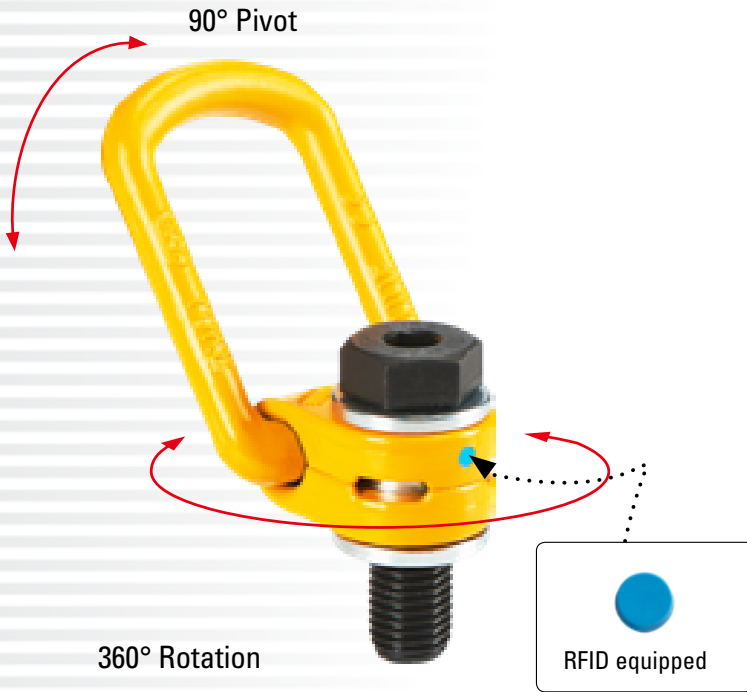
Metric Thread (8203)

ITEM NUMBER	WORKING LOAD LIMIT (tonnes)		M THREAD MM	A	B	D	E	F	G	TORQUE IN Nn	N.W kg
	5:1	4:1		MM							
	8203004	0.40	0.50	M8x1.25	40	41	9	17	102	65	10
8203005	0.45	0.55	M10x1.5	40	41	9	11	102	65	16	0.5
8203005L	0.45	0.55	M10x1.5	40	41	9	26	102	65	16	0.5
8203010	1.05	1.30	M12x1.75	65	58	15	15	158	105	38	1.7
8203010L	1.05	1.30	M12x1.75	65	58	15	30	158	105	38	1.7
8203019	1.90	2.40	M16x2	65	58	15	20	158	105	81	1.8
8203019L	1.90	2.40	M16x2	65	58	15	35	158	105	81	1.8
8203021	2.15	2.70	M20x2.5	65	58	15	25	158	105	136	1.8
8203021L	2.15	2.70	M20x2.5	65	58	15	45	158	105	136	1.9
8203030	3.00	3.75	M20x2.5	85	73	22	25	204	134	136	4.0
8203030L	3.00	3.75	M20x2.5	85	73	22	45	204	134	136	5.2
8203042	4.20	5.25	M24x3	85	73	22	26	204	134	312	4.2
8203042L	4.20	5.25	M24x3	85	73	22	56	204	134	312	4.3
8203070	7.00	8.75	M30x3.5	100	80	25	81	218	160	637	6.6
8203110	11.00	13.75	M36x4	120	106	36	76	308	220	1005	15.0
8203125	12.50	15.60	M42x4.5	120	106	36	95	308	220	1005	16.0
8203135	13.50	16.90	M48x5	120	106	36	105	308	220	1350	16.0
8203155	15.50	19.40	M56x5.5	138	109	34	94	308	241	1350	19.1
8203223	22.30	27.90	M64x6	138	95	38	98	312	241	2847	23.0

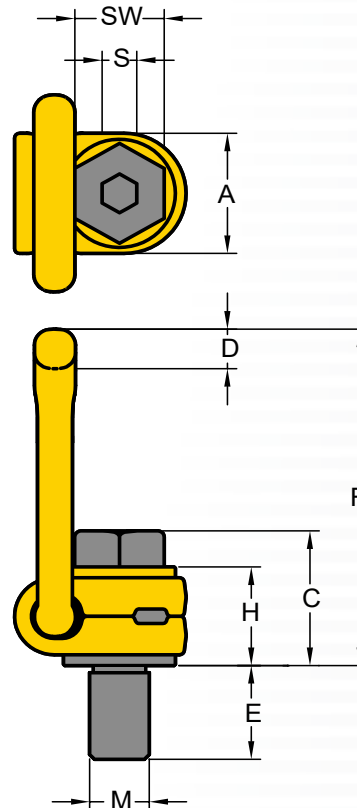
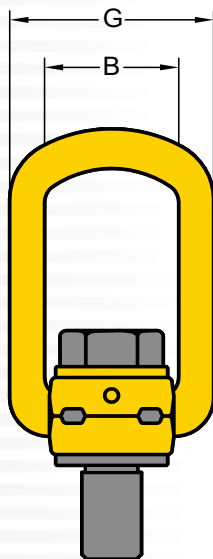
UNC Thread (8204)

ITEM NUMBER	WORKING LOAD LIMIT (LBS)	M THREAD INCH	A	B	D	E	F	G	TORQUE IN FT.LBS	N.W lbs
			INCH							
8204004	800	5/16-18UNC	1.57	1.61	0.35	0.71	4.02	2.56	7	0.9
8204005	1000	3/8-16UNC	1.57	1.61	0.35	0.71	4.02	2.56	12	0.9
8204010	2500	1/2-13UNC	2.56	2.32	0.59	0.75	6.26	4.13	28	3.7
8204010L	2500	1/2-13UNC	2.56	2.32	0.59	1.226	6.26	4.13	28	3.7
8204019	4000	5/8-11UNC	2.56	2.32	0.59	0.74	6.26	4.13	60	4.0
8204019L	4000	5/8-11UNC	2.56	2.87	0.59	1.75	6.26	4.13	60	4.0
8204021	5000	3/4-10UNC	2.56	2.87	0.59	1.24	6.26	4.13	100	4.0
8204021L	5000	3/4-10UNC	2.56	2.87	0.59	1.73	6.26	5.28	100	4.2
8204030	7000	3/4-10UNC	3.35	2.87	0.59	0.87	8.03	5.28	100	8.8
8204030L	7000	3/4-10UNC	3.35	2.87	0.87	1.87	8.03	5.28	100	9.5
8204042	8000	7/8-9UNC	3.35	2.87	0.87	1.43	8.03	5.28	160	9.3
8204042L	8000	7/8-9UNC	3.35	2.87	0.87	2.37	8.03	5.28	160	9.7
8204045	10000	1-8UNC	3.35	2.87	0.87	1.36	8.03	5.28	230	9.5
8204045L	10000	1-8UNC	3.35	2.87	0.87	2.36	8.03	5.28	230	10.1
8204070	15000	1 1/4-7UNC	3.95	3.15	1.00	2.25	8.58	6.30	470	14.5
8204125	24000	1 1/2-6UNC	4.72	4.29	1.38	2.17	12.09	8.66	800	35.2
8204135	30000	2-4.5UNC	4.72	4.29	1.38	3.01	12.09	8.66	1100	35.2

LIFTING POINT



- Rotates through 360° and pivots 90°
- Manufactured from alloy steel, quenched and tempered
- Tested in accordance with EN1677-1
- Certified by DGUV GS-OA 15-04
- Load rated parts are 100% magnaflux cracked detected
- Individual forged parts and cap screw are traceable to Test Certification
- Bolt threads are metric
- Proof tested to 2.5 times the WLL (Working Load Limit)
- Fatigue rated to 20,000 cycles at 1.5 times the WLL
- All YOKE Lifting points meet or exceed all the requirements of ASME B30.26
- Quick and simple assembly, just a tapped hole is required



LIFTING POINT

Metric Thread (8211)

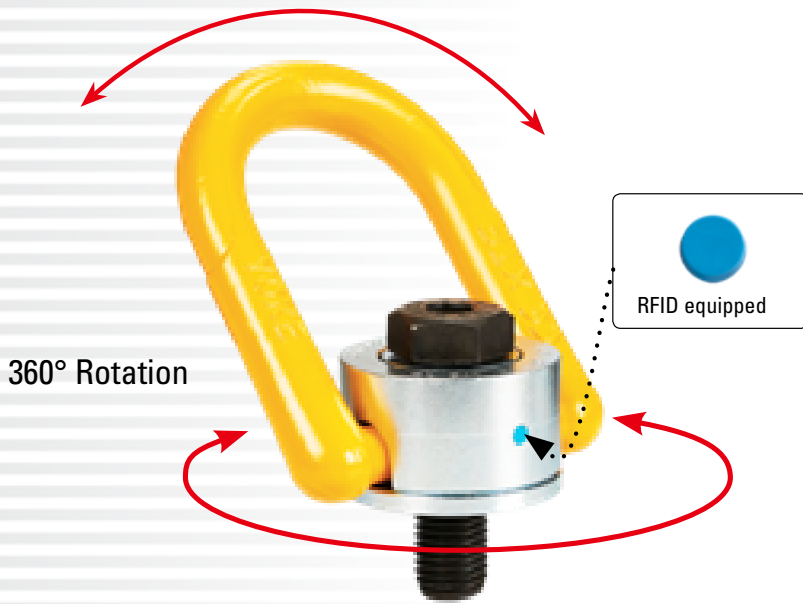
ITEM NUMBER	WORKING LOAD LIMIT (tonnes)	M THREAD MM	A	B	C	D	E	F	G	H	S	SW	TORQUE IN Nn	N.W kg
			MM											
8211003	0.3	M8x1.25	30	35	35	10	11	85	55	29	6	13	30	0.2
8211006	0.63	M10x1.5	30	35	36	10	16	85	55	29	6	17	60	0.3
8211010	1	M12x1.75	33	37	44	14	18	98	57	36	8	19	100	0.5
8211012	1.2	M14x2	33	37	45	14	21	98	57	36	10	22	120	0.5
8211015	1.5	M16x2	33	37	46	14	24	98	57	36	10	24	150	0.5
8211020	2	M18x2.5	50	54	57	17	26	140	82	44	12	30	200	1.3
8211025	2.5	M20x2.5	50	54	57	17	30	140	82	44	12	30	250	1.3
8211040	4	M24x3	50	54	59	17	36	140	82	44	14	36	400	1.4
8211042	4	M27x3	60	65	79	23	38	170	99	62	17	41	400	2.8
8211050	5	M30x3.5	60	65	81	23	48	170	99	62	17	46	500	3.1
8211070	7	M36x4	60	65	88	23	54	178	99	65	22	55	700	3.3
8211080	8	M36x4	77	85	101	27	62	225	124	78	22	55	800	5.8
8211100	10	M42x4.5	77	85	104	27	72	225	124	78	24	65	1000	6.3
8211150	15	M42x4.5	95	104	112	36	63	256	158	86	24	65	1500	10.8
8211200	20	M48x5	95	104	120	36	72	259	158	90	27	75	2000	11.6

UNC Thread (8212)

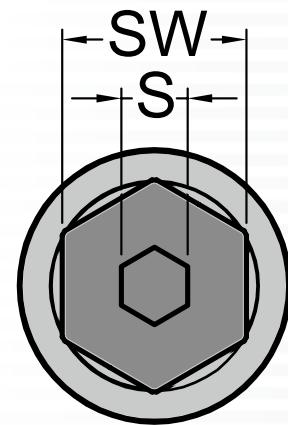
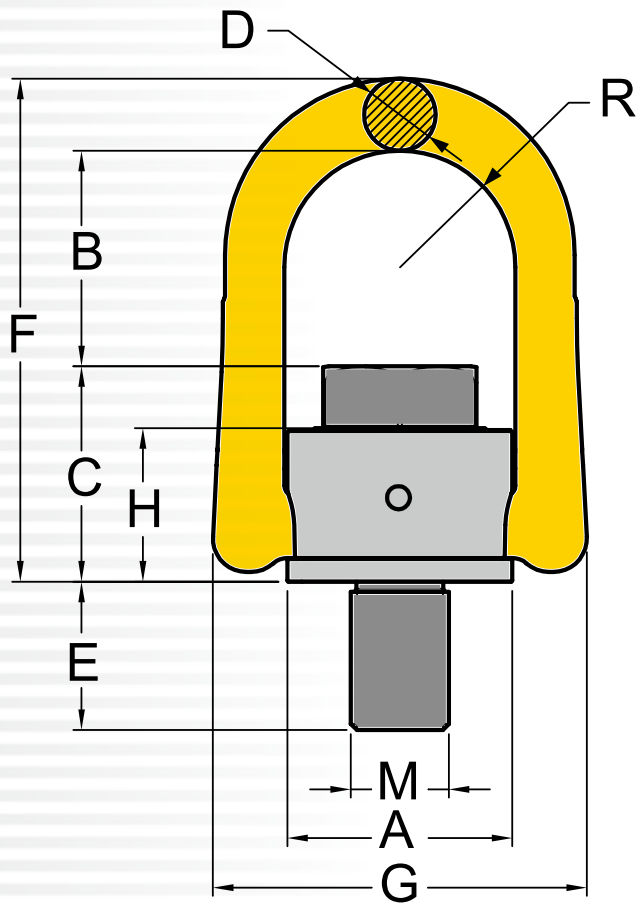
ITEM NUMBER	WORKING LOAD LIMIT (tonnes)	M THREAD INCH	A	B	C	D	E	F	G	H	S	SW	TORQUE IN Nn	N.W lbs
			INCH											
8212010	1	1/2-13UNC	1.30	1.46	1.73	0.53	0.75	3.86	2.24	1.42	5/16	3/4	100	1.1
8212015	1.5	5/8-11UNC	1.30	1.46	1.81	0.53	0.94	3.86	2.24	1.42	3/8	1 5/16	150	1.1
8212020	2.5	3/4-10UNC	1.97	2.13	2.20	0.65	1.10	5.51	3.23	1.73	1/2	1 1/8	250	2.9
8212025	2.5	7/8-9UNC	1.97	2.13	2.28	0.65	1.10	5.51	3.23	1.73	5/8	1 5/16	300	2.9
8212040	4	1-8UNC	1.97	2.13	2.34	0.65	1.61	5.51	3.23	1.73	5/8	1 1/2	400	3.1
8212050	5	1 1/4-7UNC	2.36	2.56	3.23	0.89	1.61	6.69	3.90	2.44	7/8	1 7/8	500	6.8
8212080	8	1 1/2-6UNC	3.03	3.35	4.01	1.04	2.25	8.86	4.88	3.07	1	2 1/4	800	12.8
8212150	15	1 3/4-5UNC	3.74	4.09	4.48	1.42	2.63	10.08	6.22	3.39	1	2 5/8	1500	24.0
8212200	20	2-4.5UNC	3.74	4.09	4.76	1.42	3	10.20	6.22	3.54	1 1/4	3	2000	25.5

ANCHOR POINT

180° Pivot



- Rotates through 360° and pivots 90°
- Manufactured from alloy steel, quenched and tempered
- Tested in accordance with EN1677-1
- Certified by DGUV GS-0A 15-04
- Load rated parts are 100% magnaflux cracked detected
- Individual forged parts and cap screw are traceable to Test Certification
- Bolt threads are metric
- Proof tested to 2.5 times the WLL
- Fatigue rated to 20,000 cycles at 1.5 times the WLL
- All YOKE Lifting points meet or exceed all the requirements of ASME B30.26
- Quick and simple assembly, just a tapped hole is required



ANCHOR POINT

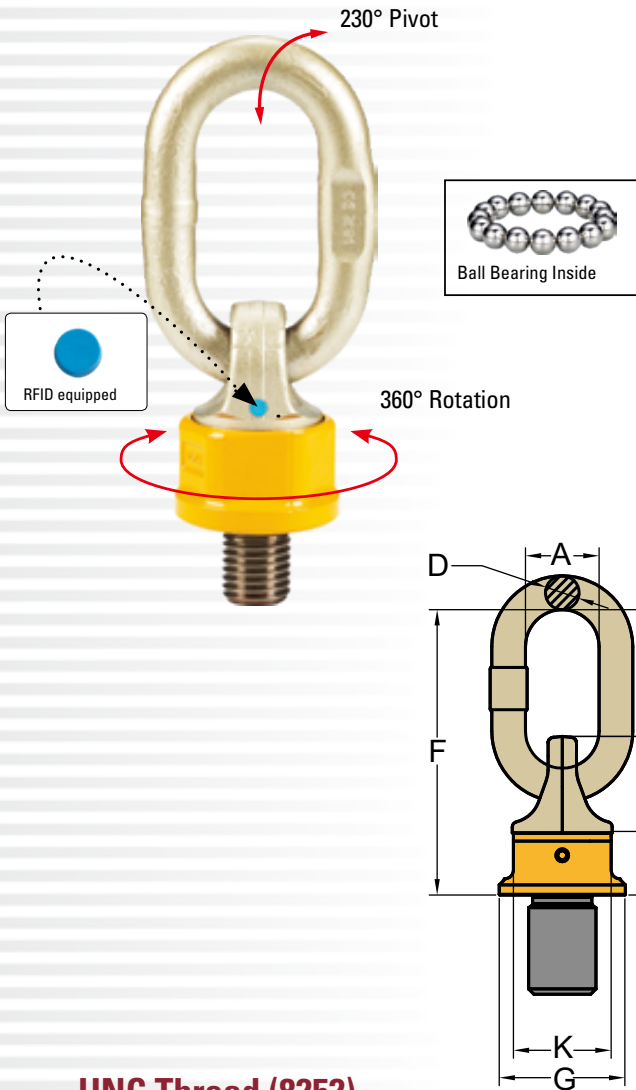
Metric Thread (8231)

ITEM NUMBER	WORKING LOAD LIMIT (tonnes)	M THREAD MM	A	B	C	D	E	F	G	H	S	SW	TORQUE IN Nn	N.W kg
			MM											
8231005	0.5	M8x1.25	33	42	28	11	12	80	58	23	6	13	30	0.3
8231007	0.7	M10x1.5	33	41	29	11	15	80	58	23	6	17	60	0.3
8231010	1.0	M12x1.75	33	40	31	11	20	80	58	23	8	19	100	0.3
8231015	1.5	M14x2	50	56	45	17	21	117	90	36	10	22	120	0.9
8231020	2.0	M16x2	50	54	46	17	24	117	90	36	10	24	150	0.9
8231025	2.5	M18x2.5	65	78	57	20	26	153	108	44	12	30	200	1.9
8231030	3.0	M20x2.5	50	52	49	17	30	117	90	36	12	30	250	1.0
8231050	5.0	M24x3	72	81	59	25	36	163	125	44	14	36	400	2.6
8231056	5.6	M27x3	87	86	79	30	38	204	148	62	17	41	400	4.9
8231078	7.8	M30x3.5	87	94	81	30	48	204	148	62	17	46	500	5.0
8231125	12.5	M36x4	110	112	98	36	54	247	188	75	22	55	1000	9.6
8231156	15.6	M42x4.5	110	101	108	36	63	247	188	83	24	65	1500	10.9
8231200	20.0	M48x5	110	97	113	36	72	248	188	83	27	75	2000	11.6
8231220	22.0	M56x5.5	123	116	121	36	84	274	202	91	27	85	2100	15.0
8231225	22.5	M64x6	123	111	126	36	100	274	202	91	32	95	2200	16.3

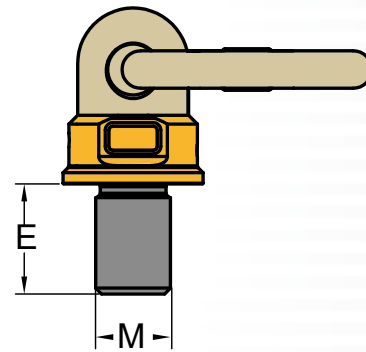
UNC Thread (8232)

ITEM NUMBER	WORKING LOAD LIMIT (tonnes)	M THREAD INCH	A	B	C	D	E	F	G	H	R	S	SW	TORQUE IN Nn	N.W lbs
			INCH												
8232010	0.8	1/2-13UNC	1.30	1.57	1.20	0.41	0.81	3.17	2.28	0.90	0.67	5/16	3/4	100	1.8
8232020	1.6	5/8-11UNC	1.97	2.13	1.81	0.65	1.13	4.61	3.54	1.42	1.06	3/8	15/16	150	2.0
8232030	2.4	3/4-10UNC	1.97	2.07	1.89	0.65	1.54	4.61	3.54	1.42	1.06	1/2	1 1/8	250	2.2
8232038	3.0	7/8-9UNC	2.56	2.99	2.28	0.79	1.42	6.02	4.25	1.73	1.34	5/8	15/16	300	4.3
8232050	4.5	1-8UNC	2.81	3.17	2.34	0.98	1.61	6.38	4.92	1.73	1.46	5/8	1 1/2	400	5.7
8232078	6.25	1 1/4-7UNC	3.43	3.66	2.23	1.18	2.09	8.07	5.83	2.44	1.79	7/8	1 7/8	500	11.0
8232125	10.0	1 1/2-6UNC	4.29	4.38	3.87	1.42	2.40	9.92	7.40	3.07	2.22	1	2 1/4	800	21.2
8232200	16	2-4.5UNC	4.61	3.80	4.46	1.42	3	9.93	7.71	3.35	2.38	1 1/4	3	2000	25.6

SUPER POINT



- Rotates through 360° and pivots 90°
- Manufactured from alloy steel, quenched and tempered
- Tested in accordance with EN1677-1
- Certified by DGVV GS-OA 15-04
- Load rated parts are 100% magnaflux cracked detected
- Individual forged parts and cap screw are traceable to Test Certification
- Bolt threads are metric
- Proof tested to 2.5 times the WLL
- Fatigue rated to 20,000 cycles at 1.5 times the WLL
- All YOKE Lifting points meet or exceed all the requirements of ASME B30.26
- Quick and simple assembly, just a tapped hole is required



UNC Thread (8252)

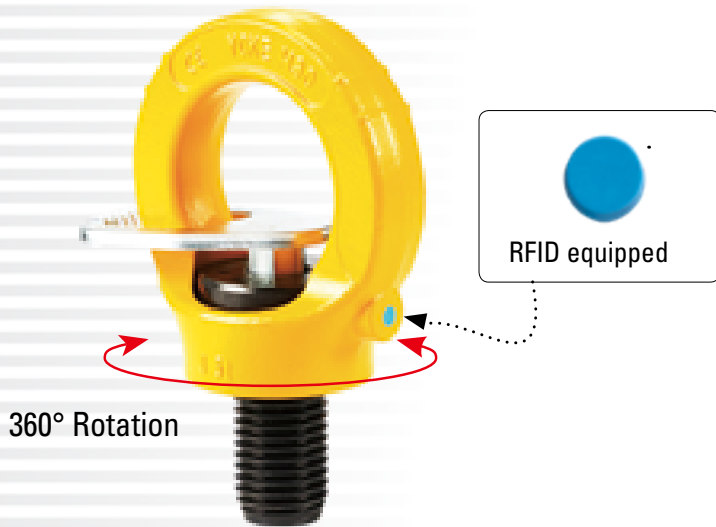
ITEM NUMBER	WORKING LOAD LIMIT (tonnes)	M THREAD INCH	G	C	K	H	E	F	D	B	A	TORQUE IN Nn	N.W lbs
			INCH										
825200701	0.5	3/8-16UNC	1.44	1.89	1.34	0.81	0.56	3.98	.051	2.09	1.38	10-40	1
825200702	0.7	1/2-13UNC	1.44	1.89	1.34	0.81	0.76	3.98	.051	2.09	1.38	15-40	1
825201402	1.4	5/8-11UNC	1.44	1.89	1.34	0.81	0.94	3.98	0.51	2.09	1.38	45-130	1
825202501	2.5	3/4-10UNC	2.05	2.68	1.81	1.1	1.13	5	0.63	2.32	1.38	100-170	2.1
825204002	4	1-8UNC	2.24	2.95	1.97	1.36	1.5	5.83	0.75	2.87	1.57	190-280	3.3
825206702	6.7	1 1/4-7UNC	2.76	3.74	2.56	1.61	1.88	6.42	0.75	2.68	1.57	230-400	5.3
825208002	8	1 1/4-7UNC	3.19	4.17	2.95	1.89	1.88	7.91	0.87	3.74	1.97	270-600	8.1
825210002	10	1 1/2-6UNC	3.19	4.17	2.95	1.89	2.25	7.91	0.87	3.74	1.97	270-600	8.3
825212503	12.5	1 3/4-5UNC	3.19	4.17	2.95	1.89	2.63	7.91	0.87	3.74	1.97	270-700	8.8
825212505	12.5	2-4.5UNC	3.19	4.17	2.95	1.89	3	7.91	0.87	3.74	1.97	270-700	9.7
825217004	17	2-4.5UNC	4.09	5	3.74	2.28	3	10.08	1.26	5.08	2.76	350-800	16.7
825217006	18	2 1/4-4.5UNC	4.09	5	3.74	2.28	3.38	10.08	1.26	5.08	2.76	350-900	17.8
825220001	20	2 1/2-2UNC	4.09	5	3.74	2.28	3.75	10.08	1.26	5.08	2.76	350-900	19.6
825228001	28	2 1/2-4UNC	5.08	6.85	4.53	3.07	3.75	12.01	1.42	5.16	3.15	500-1000	36.1
825235001	35	3 1/2-4UNC	5.83	7.36	5.31	3.35	3.75	14.41	1.77	7.05	3.94	500-1400	55.7

SUPER POINT

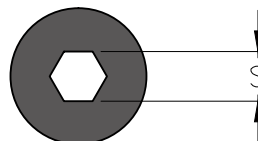
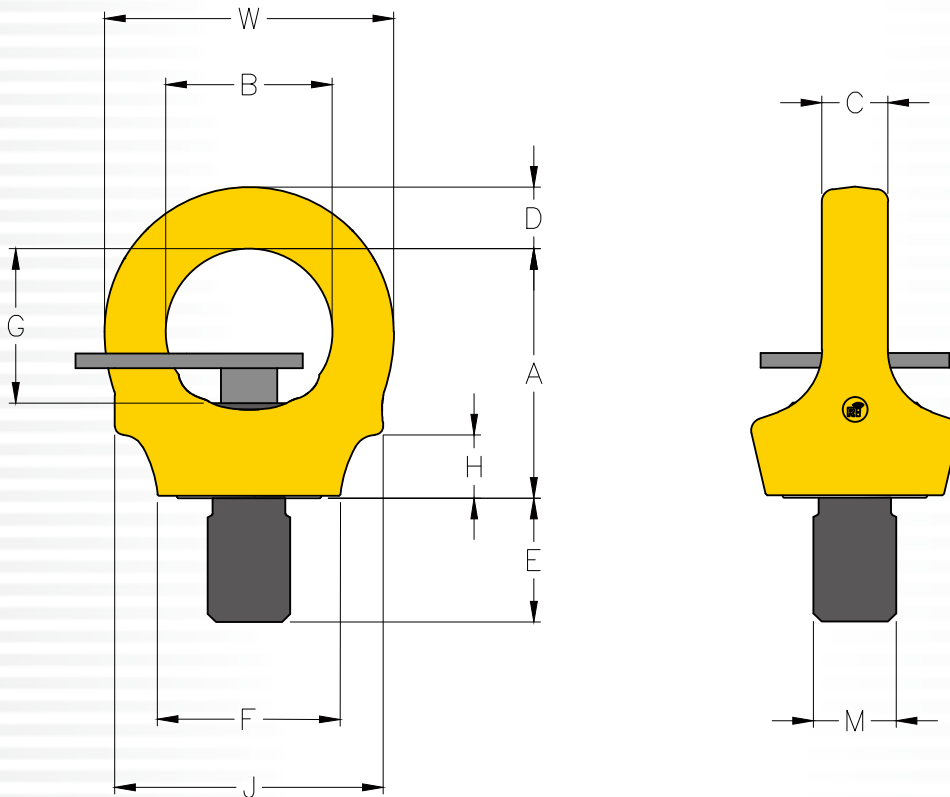
Metric Thread (8251)

ITEM NUMBER	WORKING LOAD LIMIT (tonnes)	M THREAD MM	G	C	K	H	E	F	D	B	A	TORQUE IN Nn	N.W kg
			MM										
825100701	0.5	M10x1.5	36.5	48	34	20.5	18	101	13	53	35	10-40	0.4
825100702	0.7	M12x1.75	36.5	48	34	20.5	18	101	13	53	35	15-40	0.4
825100703	0.7	M12x1.75	36.5	48	34	20.5	25	101	13	53	35	15-40	0.4
825100704	1	M14x2	36.5	48	34	20.5	20	101	13	53	35	30-40	0.4
825101401	1.4	M16x2	36.5	48	34	20.5	20	101	13	53	35	45-130	0.44
825101402	1.4	M16x2	36.5	48	34	20.5	24	101	13	53	35	45-130	0.5
825101403	1.4	M16x2	36.5	48	34	20.5	30	101	13	53	35	75-130	0.5
825101404	1.7	M20x2.5	36.5	48	34	20.5	30	101	13	53	35	90-130	0.5
825101405	1.7	M24x3	36.5	48	34	20.5	30	101	13	53	35	100-170	0.5
825102501	2.5	M20x2.5	52	68	46	28	30	127	16	59	35	100-170	1
825102502	2.5	M20x2.5	52	68	46	28	40	127	16	59	35	100-170	1
825102503	2.5	M20x2.5	52	68	46	28	50	127	16	59	35	100-170	1.1
825102504	2.5	M20x2.5	52	68	46	28	70	127	16	59	35	190-280	1.1
825104001	4	M24x3	57	75	50	34.5	30	148	19	73	40	190-280	1.5
825104002	4	M24x3	57	75	50	34.5	36	148	19	73	40	190-280	1.5
825104003	4	M24x3	57	75	50	34.5	45	148	19	73	40	190-280	1.5
825104004	4	M24x3	57	75	50	34.5	50	148	19	73	40	190-280	1.5
825104005	4	M30x3.5	57	75	50	34.5	35	148	19	73	40	190-280	1.5
825106701	6.7	M30x3.5	70	95	65	41	35	163	19	68	40	230-400	2.4
825106702	6.7	M30x3.5	70	95	65	41	45	163	19	68	40	230-400	2.4
825106703	6.7	M30x3.5	70	95	65	41	50	163	19	68	40	230-400	2.5
825106704	6.7	M30x3.5	70	95	65	41	60	163	19	68	40	230-400	2.5
825108001	8	M30x3.5	81	106	75	48	35	201	22	95	50	270-600	3.6
825108002	8	M30x3.5	81	106	75	48	45	201	22	95	50	270-600	3.7
825110001	10	M36x4	81	106	75	48	50	201	22	95	50	270-600	3.8
825110002	10	M36x4	81	106	75	48	54	201	22	95	50	270-700	3.9
825112501	12.5	M42x4.5	81	106	75	48	50	201	22	95	50	270-700	3.9
825112502	12.5	M42x4.5	81	106	75	48	60	201	22	95	50	270-700	4
825112503	12.5	M42x4.5	81	106	75	48	63	201	22	95	50	270-700	4
825112504	12.5	M45x4.5	104	106	75	48	60	201	22	95	50	270-700	4.1
825112505	12.5	M48x5	104	106	75	48	72	201	22	95	50	270-700	4.4
825117001	13	M42x4.5	104	127	95	58	60	256	32	129	70	350-800	7.4
825117002	17	M45x4.5	104	127	95	58	60	256	32	129	70	350-800	7.5
825117003	17	M48x5	104	127	95	58	60	256	32	129	70	350-800	7.6
825117004	17	M48x5	104	127	95	58	72	256	32	129	70	350-800	7.7
825117005	18	M56x5.5	104	127	95	58	78	256	32	129	70	350-900	8.1
825117006	18	M56x5.5	104	127	95	58	84	256	32	129	70	350-900	8.1
825120001	20	M64x6	104	127	95	58	96	256	32	129	70	350-900	8.9
825120002	20	M64x6	104	127	95	58	110	256	32	129	70	350-900	9.3
825128002	28	M72x6	129	174	115	78	120	305	36	131	80	500-1200	17.7
825128003	28	M80x6	129	174	115	78	150	305	36	131	80	500-1200	19.6
825135001	35	M80x6	148	187	135	85	120	366	45	179	100	500-1400	25.3
825135002	35	M90x6	148	187	135	85	150	366	45	179	100	500-1500	27.8
825140001	40	M80x6	170	210	145	83	120	340	45	130	90	500-1500	31.9
825140002	40	M90x6	170	210	145	83	115	340	45	130	90	500-1500	33.6
825140003	40	M90x6	170	210	145	83	150	340	45	130	90	500-1500	34.2
825140004	40	M100x6	170	210	145	83	150	340	45	130	90	500-1700	35.2

KEY EYE POINT



- Rotates through 360° and pivots 90°
- Manufactured from alloy steel, quenched and tempered
- Tested in accordance with EN1677-1
- Certified by DGV GS-0A 15-04
- Load rated parts are 100% magnaflux cracked detected
- Individual forged parts and cap screw are traceable to Test Certification
- Bolt threads are metric
- Proof tested to 2.5 times the WLL
- Fatigue rated to 20,000 cycles at 1.5 times the WLL
- All YOKE Lifting points meet or exceed all the requirements of ASME B30.26
- Quick and simple assembly, just a tapped hole is required



KEY EYE POINT

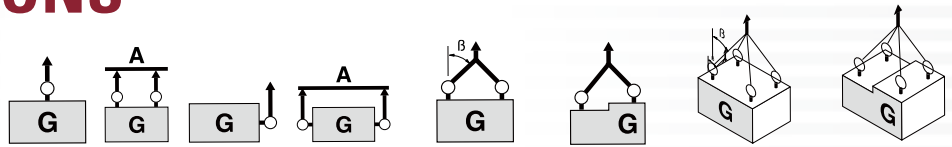
Metric Thread (8291K)

ITEM NUMBER	WORKING LOAD LIMIT (tonnes)	M THREAD MM	A	B	C	D	E	F	G	H	J	S	W	TORQUE IN Nn	N.W kg
			MM												
8291K003	0.3	M8x1.25	38	25	9	9	12	25	24	6	41	6	44	10	0.1
8291K004	0.4	M10x1.5	38	25	9	9	15	25	24	6	41	6	44	10	0.1
8291K007	0.75	M12x1.75	45	30	10	11	18	33	30	9	47	8	52	10	0.2
8291K015	1.5	M16x2	52	35	14	13	24	25	34	11	56	10	61	30	0.4
8291K023	2.3	M20x2.5	60	40	16	15	30	44	37	15	65	12	70	70	0.6
8291K032	3.2	M24x3	72	49	19	18	36	53	47	19	78	14	84	150	1.1
8291K045	4.5	M30x3.5	91	61	24	22	45	62	59	23	95	17	105	350	2.1
8291K070	7.0	M36x4	110	73	29	27	54	76	72	31	114	22	126	410	3.7
8291K090	9.0	M42x4.5	128	83	34	32	63	89	81	38	132	24	147	550	5.8
8291K120	12.0	M48x5	145	95	38	37	72	105	94	44	150	27	168	550	8.6
8291K140	16.0	M56x5.5	148	102	40	43	84	124	92	49	166	27	178	800	11.0
8291K150	18.0	M64x6	148	102	40	43	96	124	92	49	166	27	178	800	11.8

UNC Thread (8292K)

ITEM NUMBER	WORKING LOAD LIMIT (tonnes)	M THREAD INCH	A	B	C	D	E	F	G	H	J	S	W	TORQUE IN Nn	N.W lbs
			INCH												
8292K003	0.3	5/16-18UNC	1.49	1.00	0.33	0.37	0.47	0.99	0.92	0.24	1.60	0.25	1.73	10	0.3
8292K004	0.4	3/8-16UNC	1.49	1.00	0.33	0.37	0.55	0.99	0.92	0.24	1.60	0.25	1.73	10	0.3
8292K007	0.75	1/2-13UNC	1.79	1.19	0.39	0.43	0.75	1.30	1.16	0.37	1.85	0.31	2.05	10	0.5
8292K015	1.5	5/8-11UNC	2.06	1.39	0.55	0.51	0.94	1.38	1.32	0.45	2.20	0.37	2.40	30	0.9
8292K023	2.3	3/4-10UNC	2.38	1.59	0.63	0.58	1.14	1.74	1.47	0.60	2.56	0.5	2.76	70	1.4
8292K025	2.3	7/8-9UNC	2.38	1.59	0.63	0.58	1.30	1.74	1.47	0.60	2.56	0.5	2.76	150	1.5
8292K032	3.2	1-8UNC	2.85	1.91	0.75	0.70	1.52	2.08	1.79	0.75	3.07	0.56	3.31	150	2.5
8292K045	4.5	1 1/4-7UNC	3.57	2.38	0.94	0.88	1.89	2.43	2.23	0.91	3.75	0.63	4.13	350	4.7
8292K070	7	1 1/2-6UNC	4.32	2.85	1.14	1.05	2.24	2.99	2.71	1.20	4.49	0.87	4.96	410	8.7
8292K090	9	1 3/4-5UNC	5.02	3.26	1.34	1.26	2.64	3.51	3.09	1.50	5.20	1.00	5.79	550	12.7
8292K120	12	2-4.5UNC	5.70	3.74	1.50	1.44	3.03	4.12	3.69	1.75	5.91	1.00	6.61	550	19.6

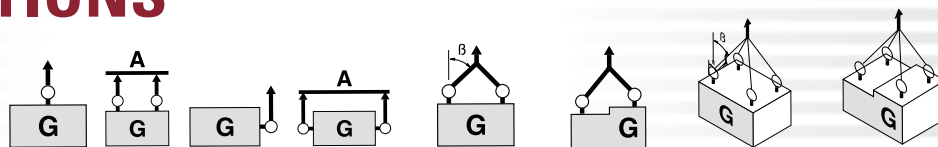
LIFT SUGGESTIONS



HOIST RING (WITH ALLOY STEEL WASHER)

		Number of Legs		1		2		2		2		2		3-4		3-4		3-4					
		Load Direction		0°		0°		90°		90°		0-45°		45°-60°		unsymm		0-45°		45°-60°		unsymm	
Item Number	Thread	WLL (t)																					
Metric Thread (8211)																							
8203004	M8	0.5	1	0.5	1	0.7	0.5	0.5	1.05	0.75	0.5												
8203005	M10	0.55	1.1	0.55	1.1	0.77	0.55	0.55	1.16	0.83	0.55												
8203005L	M10	0.55	1.1	0.55	1.1	0.77	0.55	0.55	1.16	0.83	0.55												
8203010	M12	1.3	2.6	1.3	2.6	1.82	1.3	1.3	2.73	1.95	1.3												
8203010L	M12	1.3	2.6	1.3	2.6	1.82	1.3	1.3	2.73	1.95	1.3												
8203019	M16	2.4	4.8	2.4	4.8	3.36	2.4	2.4	5.04	3.6	2.4												
8203019L	M16	2.4	4.8	2.4	4.8	3.36	2.4	2.4	5.04	3.6	2.4												
8203021	M20	2.7	5.4	2.7	5.4	3.78	2.7	2.7	5.67	4.05	2.7												
8203021L	M20	2.7	5.4	2.7	5.4	3.78	2.7	2.7	5.67	4.05	2.7												
8203030	M20	3.75	7.5	3.75	7.5	5.25	3.75	3.75	7.88	5.63	3.75												
8203030L	M20	3.75	7.5	3.75	7.5	5.25	3.75	3.75	7.88	5.63	3.75												
8203042	M24	5.25	10.5	5.25	10.5	7.35	5.25	5.25	11.03	7.88	5.25												
8203042L	M24	5.25	10.5	5.25	10.5	7.35	5.25	5.25	11.03	7.88	5.25												
8203070	M30	8.75	17.5	8.75	17.5	12.25	8.75	8.75	18.38	13.13	8.75												
8203110	M36	13.75	27.5	13.75	27.5	19.25	13.75	13.75	28.88	20.63	13.75												
8203125	M42	15.6	31.2	15.6	31.2	21.84	15.6	15.6	32.76	23.4	15.6												
8203135	M48	16.9	33.8	16.9	33.8	23.66	16.9	16.9	35.49	25.35	16.9												
8203155	M56	19.4	38.8	19.4	38.8	27.16	19.4	19.4	40.74	29.1	19.4												
8203223	M64	27.9	55.8	27.9	55.8	39.06	27.9	27.9	59.59	41.85	27.9												
UNC Thread (8212)																							
8204004	5/16	0.36	0.72	0.36	0.72	0.5	0.36	0.36	0.76	0.54	0.36												
8204005	3/8	0.45	0.9	0.45	0.9	0.63	0.45	0.45	0.95	0.68	0.45												
8204010	1/2	1.1	2.2	1.1	2.2	1.54	1.1	1.1	2.31	1.65	1.1												
8204010L	1/2	1.1	2.2	1.1	2.2	1.54	1.1	1.1	2.31	1.65	1.1												
8204019	5/8	1.8	3.6	1.8	3.6	2.52	1.8	1.8	3.78	2.7	1.8												
8204019L	5/8	1.8	3.6	1.8	3.6	2.52	1.8	1.8	3.78	2.7	1.8												
8204021	3/4	2.2	4.4	2.2	4.4	3.08	2.2	2.2	4.62	3.3	2.2												
8204021L	3/4	2.2	4.4	2.2	4.4	3.08	2.2	2.2	4.62	3.3	2.2												
8204030	3/4	3.1	6.2	3.1	6.2	4.34	3.1	3.1	6.51	4.65	3.1												
8204030L	3/4	3.1	6.2	3.1	6.2	4.34	3.1	3.1	6.51	4.65	3.1												
8204042	7/8	3.6	7.2	3.6	7.2	5.04	3.6	3.6	7.56	5.4	3.6												
8204042L	7/8	3.6	7.2	3.6	7.2	5.04	3.6	3.6	7.56	5.4	3.6												
8204045	1	4.5	9	4.5	9	6.3	4.5	4.5	9.45	6.75	4.5												
8204045L	1	4.5	9	4.5	9	6.3	4.5	4.5	9.45	6.75	4.5												
8204070	1 1/4	6.8	13.6	6.8	13.6	9.52	6.8	6.8	14.28	10.2	6.8												
8204125	1 1/2	10.9	21.8	10.9	21.8	15.26	10.9	10.9	22.89	16.35	10.9												
8204135	2	13.6	27.2	13.6	27.2	19.04	13.6	13.6	28.56	20.4	13.6												

LIFT SUGGESTIONS

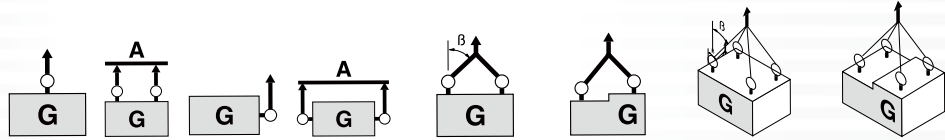


LIFTING POINT

ANCHOR POINT

Item Number	Thread	WLL (t)																																																																																																																																																																																																																																																																																																																																																																																																																																																																																																																																																																																																														
		1	2	1	2	2	2	2	3-4	3-4	3-4																																																																																																																																																																																																																																																																																																																																																																																																																																																																																																																																																																																																					
		Number of Legs	1	2	1	2	2	2	2	3-4	3-4	3-4																																																																																																																																																																																																																																																																																																																																																																																																																																																																																																																																																																																																				
		Load Direction	0°	0°	90°	90°	0-45°	45°-60°	unsymm	0-45°	45°-60°	unsymm																																																																																																																																																																																																																																																																																																																																																																																																																																																																																																																																																																																																				
<table border="1"> <thead> <tr> <th colspan="2"></th> <th>1</th> <th>2</th> <th>1</th> <th>2</th> <th>2</th> <th>2</th> <th>2</th> <th>3-4</th> <th>3-4</th> <th>3-4</th> </tr> </thead> <tbody> <tr> <td rowspan="15">Metric Thread (8211)</td> <td>8211003</td> <td>M8</td> <td>0.3</td> <td>0.6</td> <td>0.3</td> <td>0.6</td> <td>0.42</td> <td>0.3</td> <td>0.3</td> <td>0.63</td> <td>0.45</td> <td>0.3</td> </tr> <tr> <td>8211006</td> <td>M10</td> <td>0.63</td> <td>1.26</td> <td>0.63</td> <td>1.26</td> <td>0.88</td> <td>0.63</td> <td>0.63</td> <td>1.32</td> <td>0.95</td> <td>0.63</td> </tr> <tr> <td>8211010</td> <td>M12</td> <td>1</td> <td>2</td> <td>1</td> <td>2</td> <td>1.4</td> <td>1</td> <td>1</td> <td>2.1</td> <td>1.5</td> <td>1</td> </tr> <tr> <td>8211012</td> <td>M14</td> <td>1.2</td> <td>2.4</td> <td>1.2</td> <td>2.4</td> <td>1.7</td> <td>1.2</td> <td>1.2</td> <td>2.5</td> <td>1.8</td> <td>1.2</td> </tr> <tr> <td>8211015</td> <td>M16</td> <td>1.5</td> <td>3</td> <td>1.5</td> <td>3</td> <td>2.1</td> <td>1.5</td> <td>1.5</td> <td>3.1</td> <td>2.2</td> <td>1.5</td> </tr> <tr> <td>8211020</td> <td>M18</td> <td>2</td> <td>4</td> <td>2</td> <td>4</td> <td>2.8</td> <td>2</td> <td>2</td> <td>4.2</td> <td>3</td> <td>2</td> </tr> <tr> <td>8211025</td> <td>M20</td> <td>2.5</td> <td>5</td> <td>2.5</td> <td>5</td> <td>3.5</td> <td>2.5</td> <td>2.5</td> <td>5.2</td> <td>3.7</td> <td>2.5</td> </tr> <tr> <td>8211040</td> <td>M24</td> <td>4</td> <td>8</td> <td>4</td> <td>8</td> <td>5.6</td> <td>4</td> <td>4</td> <td>8.4</td> <td>6</td> <td>4</td> </tr> <tr> <td>8211042</td> <td>M27</td> <td>4</td> <td>8</td> <td>4</td> <td>8</td> <td>5.6</td> <td>4</td> <td>4</td> <td>8.4</td> <td>6</td> <td>4</td> </tr> <tr> <td>8211050</td> <td>M30</td> <td>5</td> <td>10</td> <td>5</td> <td>10</td> <td>7</td> <td>5</td> <td>5</td> <td>10.5</td> <td>7.5</td> <td>5</td> </tr> <tr> <td>8211070</td> <td>M36</td> <td>7</td> <td>14</td> <td>7</td> <td>14</td> <td>9.8</td> <td>7</td> <td>7</td> <td>14.7</td> <td>10.5</td> <td>7</td> </tr> <tr> <td>8211080</td> <td>M36</td> <td>8</td> <td>16</td> <td>8</td> <td>16</td> <td>11.2</td> <td>8</td> <td>8</td> <td>16.8</td> <td>12</td> <td>8</td> </tr> <tr> <td>8211100</td> <td>M42</td> <td>10</td> <td>20</td> <td>10</td> <td>20</td> <td>14</td> <td>10</td> <td>10</td> <td>21</td> <td>15</td> <td>10</td> </tr> <tr> <td>8211150</td> <td>M42</td> <td>15</td> <td>30</td> <td>14</td> <td>30</td> <td>21</td> <td>15</td> <td>15</td> <td>31.5</td> <td>22.5</td> <td>15</td> </tr> <tr> <td>8211200</td> <td>M48</td> <td>20</td> <td>40</td> <td>16</td> <td>40</td> <td>28</td> <td>20</td> <td>20</td> <td>42</td> <td>30</td> <td>20</td> </tr> <tr> <td rowspan="9">UNC Thread (8212)</td> <td>8212010</td> <td>1/2</td> <td>1</td> <td>2</td> <td>1</td> <td>2</td> <td>1.4</td> <td>1</td> <td>1</td> <td>2.1</td> <td>1.5</td> <td>1</td> </tr> <tr> <td>8212015</td> <td>5/8</td> <td>1.5</td> <td>3</td> <td>1.5</td> <td>3</td> <td>2.1</td> <td>1.5</td> <td>1.5</td> <td>3.1</td> <td>2.2</td> <td>1.5</td> </tr> <tr> <td>8212020</td> <td>3/4</td> <td>2.5</td> <td>5</td> <td>2.5</td> <td>5</td> <td>3.5</td> <td>2.5</td> <td>2.5</td> <td>5.2</td> <td>3.7</td> <td>2.5</td> </tr> <tr> <td>8212025</td> <td>7/8</td> <td>2.5</td> <td>5</td> <td>2.5</td> <td>5</td> <td>3.5</td> <td>2.5</td> <td>2.5</td> <td>5.2</td> <td>3.7</td> <td>2.5</td> </tr> <tr> <td>8212040</td> <td>1</td> <td>4</td> <td>8</td> <td>4</td> <td>8</td> <td>5.6</td> <td>4</td> <td>4</td> <td>8.4</td> <td>6</td> <td>4</td> </tr> <tr> <td>8212050</td> <td>1 1/4</td> <td>5</td> <td>10</td> <td>5</td> <td>10</td> <td>7</td> <td>5</td> <td>5</td> <td>10.5</td> <td>7.5</td> <td>5</td> </tr> <tr> <td>8212080</td> <td>1 1/2</td> <td>8</td> <td>16</td> <td>8</td> <td>16</td> <td>11.2</td> <td>8</td> <td>8</td> <td>16.8</td> <td>12</td> <td>8</td> </tr> <tr> <td>8212150</td> <td>1 3/4</td> <td>15</td> <td>30</td> <td>15</td> <td>30</td> <td>21</td> <td>15</td> <td>15</td> <td>31.5</td> <td>22.5</td> <td>15</td> </tr> <tr> <td>8212200</td> <td>2</td> <td>20</td> <td>40</td> <td>20</td> <td>40</td> <td>28</td> <td>20</td> <td>20</td> <td>42</td> <td>30</td> <td>20</td> </tr> <tr> <td rowspan="15">Metric Thread (8231)</td> <td>8231005</td> <td>M8</td> <td>0.8</td> <td>1.6</td> <td>0.5</td> <td>1</td> <td>0.7</td> <td>0.5</td> <td>0.5</td> <td>1.1</td> <td>0.8</td> <td>0.5</td> </tr> <tr> <td>8231007</td> <td>M10</td> <td>1.2</td> <td>2.4</td> <td>0.7</td> <td>1.4</td> <td>1</td> <td>0.7</td> <td>0.7</td> <td>1.5</td> <td>1.1</td> <td>0.7</td> </tr> <tr> <td>8231010</td> <td>M12</td> <td>1.5</td> <td>3</td> <td>1</td> <td>2</td> <td>1.4</td> <td>1</td> <td>1</td> <td>2.1</td> <td>1.5</td> <td>1</td> </tr> <tr> <td>8231015</td> <td>M14</td> <td>2.4</td> <td>4.8</td> <td>1.5</td> <td>3</td> <td>2.1</td> <td>1.5</td> <td>1.5</td> <td>3.2</td> <td>2.3</td> <td>1.5</td> </tr> <tr> <td>8231020</td> <td>M16</td> <td>3.2</td> <td>6.4</td> <td>5</td> <td>4</td> <td>2.8</td> <td>2</td> <td>2</td> <td>4.2</td> <td>3</td> <td>2</td> </tr> <tr> <td>8231025</td> <td>M18</td> <td>5</td> <td>10</td> <td>2.5</td> <td>5</td> <td>3.5</td> <td>2.5</td> <td>2.5</td> <td>5.3</td> <td>3.8</td> <td>2.5</td> </tr> <tr> <td>8231030</td> <td>M20</td> <td>4.5</td> <td>9</td> <td>3</td> <td>6</td> <td>4.2</td> <td>3</td> <td>3</td> <td>6.3</td> <td>4.5</td> <td>3</td> </tr> <tr> <td>8231050</td> <td>M24</td> <td>9</td> <td>18</td> <td>5</td> <td>10</td> <td>7</td> <td>5</td> <td>5</td> <td>10.5</td> <td>7.5</td> <td>5</td> </tr> <tr> <td>8231056</td> <td>M27</td> <td>9.5</td> <td>19</td> <td>5.6</td> <td>11.2</td> <td>7.8</td> <td>5.6</td> <td>5.6</td> <td>11.8</td> <td>8.4</td> <td>5.6</td> </tr> <tr> <td>8231078</td> <td>M30</td> <td>12</td> <td>24</td> <td>7.8</td> <td>15.6</td> <td>10.9</td> <td>7.8</td> <td>7.8</td> <td>16.4</td> <td>11.7</td> <td>7.8</td> </tr> <tr> <td>8231125</td> <td>M36</td> <td>14</td> <td>28</td> <td>12.5</td> <td>25</td> <td>17.5</td> <td>12.5</td> <td>12.5</td> <td>26.3</td> <td>18.8</td> <td>12.5</td> </tr> <tr> <td>8231156</td> <td>M42</td> <td>16</td> <td>32</td> <td>15.6</td> <td>31.2</td> <td>21.8</td> <td>15.6</td> <td>15.6</td> <td>32.8</td> <td>23.4</td> <td>15.6</td> </tr> <tr> <td>8231200</td> <td>M48</td> <td>20</td> <td>40</td> <td>20</td> <td>40</td> <td>28</td> <td>20</td> <td>20</td> <td>42</td> <td>30</td> <td>20</td> </tr> <tr> <td>8231220</td> <td>M56</td> <td>22</td> <td>44</td> <td>22</td> <td>44</td> <td>30.8</td> <td>22</td> <td>22</td> <td>46.2</td> <td>33</td> <td>22</td> </tr> <tr> <td>8231225</td> <td>M64</td> <td>22.5</td> <td>45</td> <td>22.5</td> <td>40</td> <td>28</td> <td>20</td> <td>20</td> <td>42</td> <td>30</td> <td>20</td> </tr> <tr> <td rowspan="8">UNC Thread (8232)</td> <td>8232010</td> <td>1/2</td> <td>1.2</td> <td>2.4</td> <td>0.8</td> <td>1.6</td> <td>1.12</td> <td>0.8</td> <td>0.8</td> <td>1.68</td> <td>1.2</td> <td>0.8</td> </tr> <tr> <td>8232020</td> <td>5/8</td> <td>2.6</td> <td>5.2</td> <td>1.6</td> <td>3.2</td> <td>2.24</td> <td>1.6</td> <td>1.6</td> <td>3.36</td> <td>2.4</td> <td>1.6</td> </tr> <tr> <td>8232030</td> <td>3/4</td> <td>3.6</td> <td>7.2</td> <td>2.4</td> <td>4.8</td> <td>3.36</td> <td>2.4</td> <td>2.4</td> <td>5.04</td> <td>3.6</td> <td>2.4</td> </tr> <tr> <td>8232038</td> <td>7/8</td> <td>4.5</td> <td>9</td> <td>3</td> <td>6</td> <td>4.2</td> <td>3</td> <td>3</td> <td>6.3</td> <td>4.5</td> <td>3</td> </tr> <tr> <td>8232050</td> <td>1</td> <td>7.2</td> <td>14.4</td> <td>4</td> <td>8</td> <td>5.6</td> <td>4</td> <td>4</td> <td>8.4</td> <td>6</td> <td>4</td> </tr> <tr> <td>8232078</td> <td>1 1/4</td> <td>9.6</td> <td>19.2</td> <td>6.25</td> <td>12.5</td> <td>8.75</td> <td>6.25</td> <td>6.25</td> <td>13.13</td> <td>9.38</td> <td>6.25</td> </tr> <tr> <td>8232125</td> <td>1 1/2</td> <td>11</td> <td>22</td> <td>10</td> <td>20</td> <td>14</td> <td>10</td> <td>10</td> <td>21</td> <td>15</td> <td>10</td> </tr> <tr> <td>8232200</td> <td>2</td> <td>16</td> <td>32</td> <td>16</td> <td>32</td> <td>22.4</td> <td>16</td> <td>16</td> <td>33.6</td> <td>24</td> <td>16</td> </tr> </tbody> </table>															1	2	1	2	2	2	2	3-4	3-4	3-4	Metric Thread (8211)	8211003	M8	0.3	0.6	0.3	0.6	0.42	0.3	0.3	0.63	0.45	0.3	8211006	M10	0.63	1.26	0.63	1.26	0.88	0.63	0.63	1.32	0.95	0.63	8211010	M12	1	2	1	2	1.4	1	1	2.1	1.5	1	8211012	M14	1.2	2.4	1.2	2.4	1.7	1.2	1.2	2.5	1.8	1.2	8211015	M16	1.5	3	1.5	3	2.1	1.5	1.5	3.1	2.2	1.5	8211020	M18	2	4	2	4	2.8	2	2	4.2	3	2	8211025	M20	2.5	5	2.5	5	3.5	2.5	2.5	5.2	3.7	2.5	8211040	M24	4	8	4	8	5.6	4	4	8.4	6	4	8211042	M27	4	8	4	8	5.6	4	4	8.4	6	4	8211050	M30	5	10	5	10	7	5	5	10.5	7.5	5	8211070	M36	7	14	7	14	9.8	7	7	14.7	10.5	7	8211080	M36	8	16	8	16	11.2	8	8	16.8	12	8	8211100	M42	10	20	10	20	14	10	10	21	15	10	8211150	M42	15	30	14	30	21	15	15	31.5	22.5	15	8211200	M48	20	40	16	40	28	20	20	42	30	20	UNC Thread (8212)	8212010	1/2	1	2	1	2	1.4	1	1	2.1	1.5	1	8212015	5/8	1.5	3	1.5	3	2.1	1.5	1.5	3.1	2.2	1.5	8212020	3/4	2.5	5	2.5	5	3.5	2.5	2.5	5.2	3.7	2.5	8212025	7/8	2.5	5	2.5	5	3.5	2.5	2.5	5.2	3.7	2.5	8212040	1	4	8	4	8	5.6	4	4	8.4	6	4	8212050	1 1/4	5	10	5	10	7	5	5	10.5	7.5	5	8212080	1 1/2	8	16	8	16	11.2	8	8	16.8	12	8	8212150	1 3/4	15	30	15	30	21	15	15	31.5	22.5	15	8212200	2	20	40	20	40	28	20	20	42	30	20	Metric Thread (8231)	8231005	M8	0.8	1.6	0.5	1	0.7	0.5	0.5	1.1	0.8	0.5	8231007	M10	1.2	2.4	0.7	1.4	1	0.7	0.7	1.5	1.1	0.7	8231010	M12	1.5	3	1	2	1.4	1	1	2.1	1.5	1	8231015	M14	2.4	4.8	1.5	3	2.1	1.5	1.5	3.2	2.3	1.5	8231020	M16	3.2	6.4	5	4	2.8	2	2	4.2	3	2	8231025	M18	5	10	2.5	5	3.5	2.5	2.5	5.3	3.8	2.5	8231030	M20	4.5	9	3	6	4.2	3	3	6.3	4.5	3	8231050	M24	9	18	5	10	7	5	5	10.5	7.5	5	8231056	M27	9.5	19	5.6	11.2	7.8	5.6	5.6	11.8	8.4	5.6	8231078	M30	12	24	7.8	15.6	10.9	7.8	7.8	16.4	11.7	7.8	8231125	M36	14	28	12.5	25	17.5	12.5	12.5	26.3	18.8	12.5	8231156	M42	16	32	15.6	31.2	21.8	15.6	15.6	32.8	23.4	15.6	8231200	M48	20	40	20	40	28	20	20	42	30	20	8231220	M56	22	44	22	44	30.8	22	22	46.2	33	22	8231225	M64	22.5	45	22.5	40	28	20	20	42	30	20	UNC Thread (8232)	8232010	1/2	1.2	2.4	0.8	1.6	1.12	0.8	0.8	1.68	1.2	0.8	8232020	5/8	2.6	5.2	1.6	3.2	2.24	1.6	1.6	3.36	2.4	1.6	8232030	3/4	3.6	7.2	2.4	4.8	3.36	2.4	2.4	5.04	3.6	2.4	8232038	7/8	4.5	9	3	6	4.2	3	3	6.3	4.5	3	8232050	1	7.2	14.4	4	8	5.6	4	4	8.4	6	4	8232078	1 1/4	9.6	19.2	6.25	12.5	8.75	6.25	6.25	13.13	9.38	6.25	8232125	1 1/2	11	22	10	20	14	10	10	21	15	10	8232200	2	16	32	16	32	22.4	16	16	33.6	24	16
		1	2	1	2	2	2	2	3-4	3-4	3-4																																																																																																																																																																																																																																																																																																																																																																																																																																																																																																																																																																																																					
Metric Thread (8211)	8211003	M8	0.3	0.6	0.3	0.6	0.42	0.3	0.3	0.63	0.45	0.3																																																																																																																																																																																																																																																																																																																																																																																																																																																																																																																																																																																																				
	8211006	M10	0.63	1.26	0.63	1.26	0.88	0.63	0.63	1.32	0.95	0.63																																																																																																																																																																																																																																																																																																																																																																																																																																																																																																																																																																																																				
	8211010	M12	1	2	1	2	1.4	1	1	2.1	1.5	1																																																																																																																																																																																																																																																																																																																																																																																																																																																																																																																																																																																																				
	8211012	M14	1.2	2.4	1.2	2.4	1.7	1.2	1.2	2.5	1.8	1.2																																																																																																																																																																																																																																																																																																																																																																																																																																																																																																																																																																																																				
	8211015	M16	1.5	3	1.5	3	2.1	1.5	1.5	3.1	2.2	1.5																																																																																																																																																																																																																																																																																																																																																																																																																																																																																																																																																																																																				
	8211020	M18	2	4	2	4	2.8	2	2	4.2	3	2																																																																																																																																																																																																																																																																																																																																																																																																																																																																																																																																																																																																				
	8211025	M20	2.5	5	2.5	5	3.5	2.5	2.5	5.2	3.7	2.5																																																																																																																																																																																																																																																																																																																																																																																																																																																																																																																																																																																																				
	8211040	M24	4	8	4	8	5.6	4	4	8.4	6	4																																																																																																																																																																																																																																																																																																																																																																																																																																																																																																																																																																																																				
	8211042	M27	4	8	4	8	5.6	4	4	8.4	6	4																																																																																																																																																																																																																																																																																																																																																																																																																																																																																																																																																																																																				
	8211050	M30	5	10	5	10	7	5	5	10.5	7.5	5																																																																																																																																																																																																																																																																																																																																																																																																																																																																																																																																																																																																				
	8211070	M36	7	14	7	14	9.8	7	7	14.7	10.5	7																																																																																																																																																																																																																																																																																																																																																																																																																																																																																																																																																																																																				
	8211080	M36	8	16	8	16	11.2	8	8	16.8	12	8																																																																																																																																																																																																																																																																																																																																																																																																																																																																																																																																																																																																				
	8211100	M42	10	20	10	20	14	10	10	21	15	10																																																																																																																																																																																																																																																																																																																																																																																																																																																																																																																																																																																																				
	8211150	M42	15	30	14	30	21	15	15	31.5	22.5	15																																																																																																																																																																																																																																																																																																																																																																																																																																																																																																																																																																																																				
	8211200	M48	20	40	16	40	28	20	20	42	30	20																																																																																																																																																																																																																																																																																																																																																																																																																																																																																																																																																																																																				
UNC Thread (8212)	8212010	1/2	1	2	1	2	1.4	1	1	2.1	1.5	1																																																																																																																																																																																																																																																																																																																																																																																																																																																																																																																																																																																																				
	8212015	5/8	1.5	3	1.5	3	2.1	1.5	1.5	3.1	2.2	1.5																																																																																																																																																																																																																																																																																																																																																																																																																																																																																																																																																																																																				
	8212020	3/4	2.5	5	2.5	5	3.5	2.5	2.5	5.2	3.7	2.5																																																																																																																																																																																																																																																																																																																																																																																																																																																																																																																																																																																																				
	8212025	7/8	2.5	5	2.5	5	3.5	2.5	2.5	5.2	3.7	2.5																																																																																																																																																																																																																																																																																																																																																																																																																																																																																																																																																																																																				
	8212040	1	4	8	4	8	5.6	4	4	8.4	6	4																																																																																																																																																																																																																																																																																																																																																																																																																																																																																																																																																																																																				
	8212050	1 1/4	5	10	5	10	7	5	5	10.5	7.5	5																																																																																																																																																																																																																																																																																																																																																																																																																																																																																																																																																																																																				
	8212080	1 1/2	8	16	8	16	11.2	8	8	16.8	12	8																																																																																																																																																																																																																																																																																																																																																																																																																																																																																																																																																																																																				
	8212150	1 3/4	15	30	15	30	21	15	15	31.5	22.5	15																																																																																																																																																																																																																																																																																																																																																																																																																																																																																																																																																																																																				
	8212200	2	20	40	20	40	28	20	20	42	30	20																																																																																																																																																																																																																																																																																																																																																																																																																																																																																																																																																																																																				
Metric Thread (8231)	8231005	M8	0.8	1.6	0.5	1	0.7	0.5	0.5	1.1	0.8	0.5																																																																																																																																																																																																																																																																																																																																																																																																																																																																																																																																																																																																				
	8231007	M10	1.2	2.4	0.7	1.4	1	0.7	0.7	1.5	1.1	0.7																																																																																																																																																																																																																																																																																																																																																																																																																																																																																																																																																																																																				
	8231010	M12	1.5	3	1	2	1.4	1	1	2.1	1.5	1																																																																																																																																																																																																																																																																																																																																																																																																																																																																																																																																																																																																				
	8231015	M14	2.4	4.8	1.5	3	2.1	1.5	1.5	3.2	2.3	1.5																																																																																																																																																																																																																																																																																																																																																																																																																																																																																																																																																																																																				
	8231020	M16	3.2	6.4	5	4	2.8	2	2	4.2	3	2																																																																																																																																																																																																																																																																																																																																																																																																																																																																																																																																																																																																				
	8231025	M18	5	10	2.5	5	3.5	2.5	2.5	5.3	3.8	2.5																																																																																																																																																																																																																																																																																																																																																																																																																																																																																																																																																																																																				
	8231030	M20	4.5	9	3	6	4.2	3	3	6.3	4.5	3																																																																																																																																																																																																																																																																																																																																																																																																																																																																																																																																																																																																				
	8231050	M24	9	18	5	10	7	5	5	10.5	7.5	5																																																																																																																																																																																																																																																																																																																																																																																																																																																																																																																																																																																																				
	8231056	M27	9.5	19	5.6	11.2	7.8	5.6	5.6	11.8	8.4	5.6																																																																																																																																																																																																																																																																																																																																																																																																																																																																																																																																																																																																				
	8231078	M30	12	24	7.8	15.6	10.9	7.8	7.8	16.4	11.7	7.8																																																																																																																																																																																																																																																																																																																																																																																																																																																																																																																																																																																																				
	8231125	M36	14	28	12.5	25	17.5	12.5	12.5	26.3	18.8	12.5																																																																																																																																																																																																																																																																																																																																																																																																																																																																																																																																																																																																				
	8231156	M42	16	32	15.6	31.2	21.8	15.6	15.6	32.8	23.4	15.6																																																																																																																																																																																																																																																																																																																																																																																																																																																																																																																																																																																																				
	8231200	M48	20	40	20	40	28	20	20	42	30	20																																																																																																																																																																																																																																																																																																																																																																																																																																																																																																																																																																																																				
	8231220	M56	22	44	22	44	30.8	22	22	46.2	33	22																																																																																																																																																																																																																																																																																																																																																																																																																																																																																																																																																																																																				
	8231225	M64	22.5	45	22.5	40	28	20	20	42	30	20																																																																																																																																																																																																																																																																																																																																																																																																																																																																																																																																																																																																				
UNC Thread (8232)	8232010	1/2	1.2	2.4	0.8	1.6	1.12	0.8	0.8	1.68	1.2	0.8																																																																																																																																																																																																																																																																																																																																																																																																																																																																																																																																																																																																				
	8232020	5/8	2.6	5.2	1.6	3.2	2.24	1.6	1.6	3.36	2.4	1.6																																																																																																																																																																																																																																																																																																																																																																																																																																																																																																																																																																																																				
	8232030	3/4	3.6	7.2	2.4	4.8	3.36	2.4	2.4	5.04	3.6	2.4																																																																																																																																																																																																																																																																																																																																																																																																																																																																																																																																																																																																				
	8232038	7/8	4.5	9	3	6	4.2	3	3	6.3	4.5	3																																																																																																																																																																																																																																																																																																																																																																																																																																																																																																																																																																																																				
	8232050	1	7.2	14.4	4	8	5.6	4	4	8.4	6	4																																																																																																																																																																																																																																																																																																																																																																																																																																																																																																																																																																																																				
	8232078	1 1/4	9.6	19.2	6.25	12.5	8.75	6.25	6.25	13.13	9.38	6.25																																																																																																																																																																																																																																																																																																																																																																																																																																																																																																																																																																																																				
	8232125	1 1/2	11	22	10	20	14	10	10	21	15	10																																																																																																																																																																																																																																																																																																																																																																																																																																																																																																																																																																																																				
	8232200	2	16	32	16	32	22.4	16	16	33.6	24	16																																																																																																																																																																																																																																																																																																																																																																																																																																																																																																																																																																																																				

LIFT SUGGESTIONS



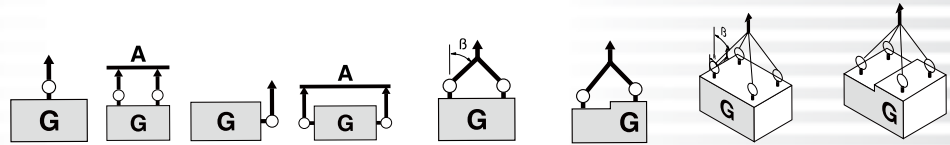
SUPER POINT

UNC Thread (8251)

UNC Thread (8252)

Number of Legs		1	2	1	2	2	2	2	2	3-4	3-4	3-4
Load Direction		0°	0°	90°	90°	0-45°	45°-60°	unsymm	0-45°	45°-60°	unsymm	
Item Number	Thread	WLL (t)										
8251007xx	M10	1	2	0.5	1	0.7	0.5	0.5	1	0.75	0.5	
	M12	1.4	2	0.7	1.4	1	0.7	0.7	1.4	1	0.7	
	M14	2	4	1	2	1.4	1	1	2.12	1.5	1	
8251014xx	M16	2.8	5.6	1.4	2.8	2	1.4	1.4	3	2.12	1.4	
	M20	3.4	6.8	1.7	3.4	2.4	1.7	1.7	3.55	2.5	1.7	
	M24	3.4	6.8	1.7	3.4	2.4	1.7	1.7	3.55	2.5	1.7	
8251025xx	M20	5	10	2.5	5	3.55	2.5	2.5	5.3	3.75	2.5	
8251040xx	M24	8	16	4	8	5.6	4	4	8.5	6	4	
	M30	8	16	4	8	5.6	4	4	8.5	6	4	
8251067xx	M30	12	24	6.7	13.4	9.5	6.7	6.7	14	10	6.7	
8251080xx	M30	12	24	8	16	11.2	8	8	16	12	8	
8251100xx	M36	15	30	10	20	14	10	10	21.2	15	10	
8251125xx	M42	15	30	12.5	25	17	12.5	12.5	25	18	12.5	
	M45	15	30	12.5	25	17	12.5	12.5	25	18	12.5	
	M48	15	30	12.5	25	17	12.5	12.5	25	18	12.5	
8251170xx	M42	20	40	13	26	18	13	13	27	19	13	
	M45	25	50	17	34	23.5	17	17	35	25	17	
	M48	25	50	17	34	23.5	17	17	35	25	17	
	M56	25	50	18	36	25	18	18	37.5	26.5	18	
8251200xx	M64	25	50	20	40	28	20	20	42.5	30	20	
8251280xx	M72	32.5	65	28	56	39	28	28	58	42	28	
	M80	32.5	65	28	56	39	28	28	58	42	28	
8251350xx	M80	40	80	35	70	49	35	35	74	52.5	35	
	M90	40	80	35	70	49	35	35	74	52.5	35	
8251400xx	M80	50	100	40	80	56	40	40	84	60	40	
	M90	50	100	40	80	56	40	40	84	60	40	
	M100	50	100	40	80	56	40	40	84	60	40	
825200701	3/8	1	2	0.5	1	0.7	0.5	0.5	1	0.75	0.5	
825200702	1/2	1.4	2.8	0.7	1.4	1	0.7	0.7	1.4	1	0.7	
825201402	5/8	2.8	5.6	1.4	2.8	2	1.4	1.4	3	2.12	1.4	
825202501	3/4	5	10	2.5	5	3.55	2.5	2.5	5.3	3.75	2.5	
825204002	1	8	16	4	8	5.6	4	4	8.5	6	4	
825206702	1 1/4	12	24	6.7	13.4	9.5	6.7	6.7	14	10	6.7	
825208002	1 1/4	12	24	8	16	11.2	8	8	16	12	8	
825210002	1 1/2	15	30	10	20	14	10	10	21.2	15	10	
825212503	1 3/4	15	30	12.5	25	17	12.5	12.5	25	18	12.5	
825212505	2	15	30	12.5	25	17	12.5	12.5	25	18	12.5	
825217004	2	25	50	17	34	23.5	17	17	35	25	17	
825217006	2 1/4	25	50	18	36	25	18	18	37.5	26.5	18	
825220001	2 1/2	25	50	20	40	28	20	20	42.5	30	20	
825228001	2 1/2	32.5	65	28	56	39	28	28	58	42	28	
825235001	3 1/2	40	80	35	70	49	35	35	74	52.5	35	

LIFT SUGGESTIONS



KEY POINT

		Number of Legs	1	2	1	2	2	2	2	3-4	3-4	3-4
		Load Direction	0°	0°	90°	90°	0-45°	45°-60°	unsymm	0-45°	45°-60°	unsymm
Item Number	Thread	WLL (t)										
Metric Thread (8291)	8291K003	M8	1	2	0.3	0.6	0.42	0.3	0.3	0.63	0.63	0.3
	8291K004	M10	1	2	0.4	0.8	0.56	0.4	0.4	0.84	0.84	0.4
	8291K007	M12	2	4	0.75	1.5	1	0.75	0.75	1.58	1.58	0.75
	8291K015	M16	4	8	1.5	3	2.1	1.5	1.5	3.15	3.15	1.5
	8291K023	M20	6	12	2.3	4.6	3.2	2.3	2.3	4.8	4.8	2.3
	8291K032	M24	8	16	3.2	6.4	4.5	3.2	3.2	6.7	6.7	3.2
	8291K045	M30	12	24	4.5	9	6.3	4.5	4.5	9.4	9.4	4.5
	8291K070	M36	16	32	7	14	9.8	7	7	14.7	14.7	7
	8291K090	M42	24	48	9	18	12.6	9	9	18.9	18.9	9
	8291K120	M48	32	64	12	24	16.8	12	12	25.2	25.2	12
	8291K140	M56	34	68	16	32	22.4	16	16	33.6	33.6	16
	8291K150	M64	36	72	18	36	25.2	18	18	37.8	37.8	18
UNC Thread (8292)	8292K003	5/16	1	2	0.3	0.6	0.42	0.3	0.3	0.63	0.45	0.3
	8292K004	3/8	1	2	0.4	0.8	0.56	0.4	0.4	0.8	0.6	0.4
	8292K007	1/2	2	4	0.75	1.5	1	0.75	0.75	1.5	1.1	0.75
	8292K015	5/8	4	8	1.5	3	2.1	1.5	1.5	3.1	2.2	1.5
	8292K023	3/4	6	12	2.3	4.6	3.2	2.3	2.3	4.8	3.4	2.3
	8292K025	7/8	6	12	2.3	4.6	3.2	2.3	2.3	4.8	3.4	2.3
	8292K032	1	8	16	3.2	6.4	4.5	3.2	3.2	6.7	4.8	3.2
	8292K045	1 1/4	12	24	4.5	9	6.3	4.5	4.5	9.4	6.7	4.5
	8292K070	1 1/2	16	32	7	14	9.8	7	7	14.7	10.5	7
	8292K090	1 3/4	24	48	9	18	12.6	9	9	18.9	13.5	9
8292K120	2	32	64	12	24	16.8	12	12	25	18	12	

With tens of thousands of products to choose from, DME is your one-stop shop for everything molding. From complex undercuts solutions and plate control to standard pins, bushings and interlocks, the DME line of mold components will help you build or rebuild your mold base inside out, top to bottom. Industrial Supplies, Mold Bases, MUD Quick-Change, Control Systems, and Hot Runner solutions round out our extensive offering to truly be your one-stop shop.



www.dme.net/estore

Shop online 24/7

**World Headquarters
DME Company LLC**

29111 Stephenson Highway
Madison Heights, MI 48071
800-626-6653 *toll-free tel*
248-398-6000 *tel*
888-808-4363 *toll-free fax*
www.dme.net *web*
dme@dme.net *e-mail*

DME of Canada Ltd.

6210 Northwest Drive
Mississauga, Ontario
Canada L4V 1J6
800-387-6600 *toll-free tel*
905-677-6370 *tel*
800-461-9965 *toll-free fax*
dme_canada@dme.net *e-mail*

DME Mexico / South America

Circuito el Marques Notre, No.55
Parque Industrial El Marqués
El Marqués, Querétaro, CP 76246
52.442.713.5666 *tel*
dme_mexico@dme.net