

# UNDERCUT UNIT UU-SERIES

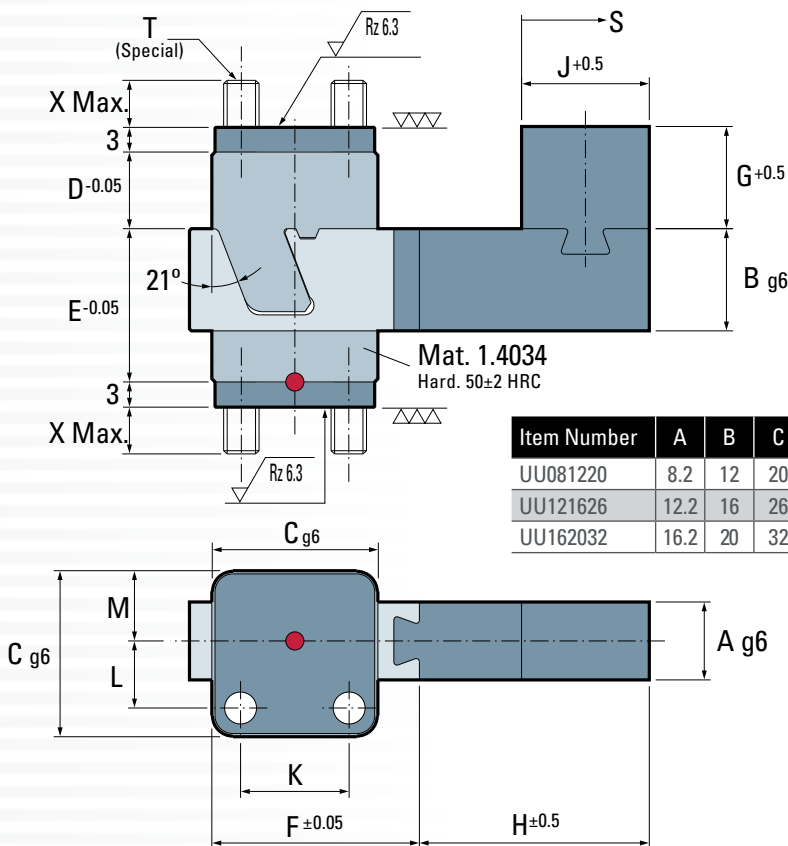
The pre-engineered UU-Seires unit cuts down mold design and machining time vs traditional methods.

## BENEFITS

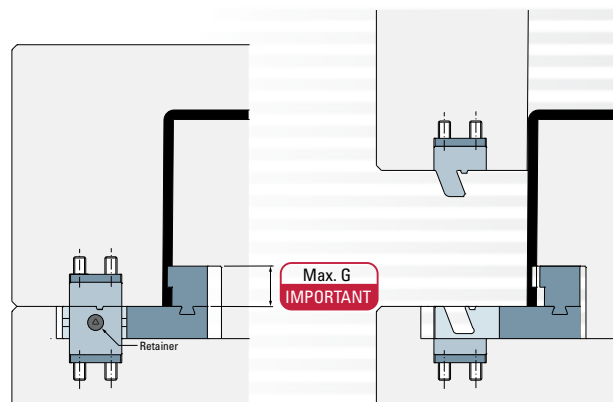
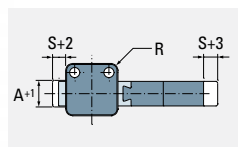
- Compact unit with strokes up to 5mm
- Slider is made from two different inserts, allowing flexibility regarding the molding feature
- All machining can be made 90° to parting line.
- Incorporates a slide retainer and an angle pin



Mat.: 1.2344  
Hardened  $54 \pm 2$  HRC.  
Patented System



Item Number	A	B	C	D	E	F	G	H	J	K	L	M	S	R	T	X
UU081220	8.2	12	20	10	18	24.5	12	32	16	12.5	8.25	8	3	3.75	M4	6.2
UU121626	12.2	16	26	12	24	32.5	16	36	20	17	10.5	11	4	4.5	M5	7.2
UU162032	16.2	20	32	16	30	41	20	50	25	22	13	14	5	5	M6	9.2



# UNDERCUT BASE UNIT SD-SERIES



Undercut base units reduce cost in machining, fitting and down time with off-the shelf replacement.

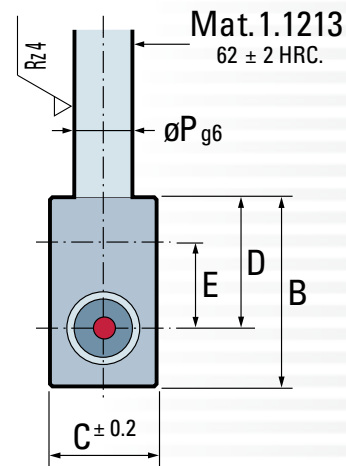
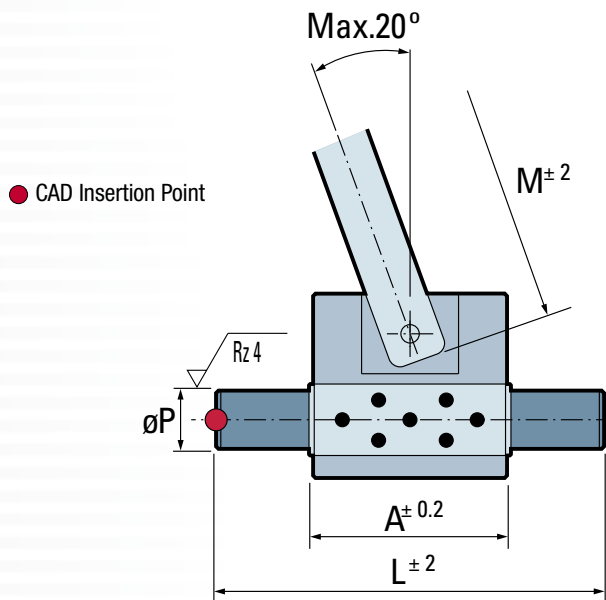
## BENEFITS

- Graphite-Bronze bushings
- No milling, grinding or hardening need, only pocket machining
- Less space required compared to conventional solutions



Item Number	A	B	C	D	E	L	M	P
SD3220GR	32	37	20	27	18	80	180	10
SD3824GR	38	40	24	28	19	80	210	12
SD4528GR	45	44	28	30	21	100	250	16

Mat.: 1.2312  
~1.080.N/mm<sup>2</sup>



**CUMSA**