



# Equatemp<sup>®</sup> RB Standard Hot Sprue Bushings

INTEGRALLY HEATED BODY WITH  
MULTIPLE TIP OPTIONS

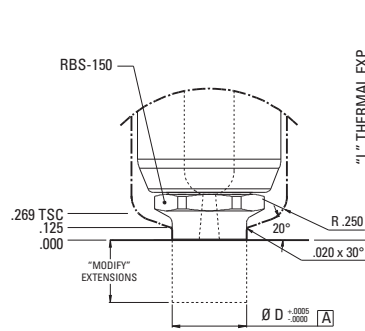
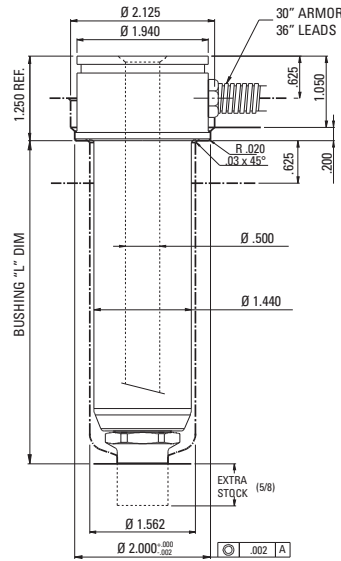




# RB 15-SERIES SPRUE TIP LARGE

**1.440 DIA SPRUE TIP  
1/2" & 3/4" SPHERICAL RADIUS**

MAT'L: H-13  
33-35 Rc.



LENGTH	1/2" SPHERICAL RADIUS				VOLTS	WATTS	REPL. T/C
	0.750 FIT DIA	0.750 FIT EXTRA STK*	1.000 FIT DIA	1.000 FIT EXTRA STK*			
2.250	DMERB1527-50SE1	DMERB1527-50SE2	DMERB1527-50SE3	DMERB1527-50SE4	240V	475	DMEJ206
2.750	DMERB1533-50SE1	DMERB1533-50SE2	DMERB1533-50SE3	DMERB1533-50SE4		550	
3.250	DMERB1537-50SE1	DMERB1537-50SE2	DMERB1537-50SE3	DMERB1537-50SE4		640	
3.750	DMERB1543-50SE1	DMERB1543-50SE2	DMERB1543-50SE3	DMERB1543-50SE4		640	DMEJ210
4.250	DMERB1547-50SE1	DMERB1547-50SE2	DMERB1547-50SE3	DMERB1547-50SE4		680	
4.750	DMERB1553-50SE1	DMERB1553-50SE2	DMERB1553-50SE3	DMERB1553-50SE4		760	
5.250	DMERB1557-50SE1	DMERB1557-50SE2	DMERB1557-50SE3	DMERB1557-50SE4		760	
5.750	DMERB1563-50SE1	DMERB1563-50SE2	DMERB1563-50SE3	DMERB1563-50SE4		760	
6.250	DMERB1567-50SE1	DMERB1567-50SE2	DMERB1567-50SE3	DMERB1567-50SE4		830	
6.750	DMERB1573-50SE1	DMERB1573-50SE2	DMERB1573-50SE3	DMERB1573-50SE4		830	
7.250	DMERB1577-50SE1	DMERB1577-50SE2	DMERB1577-50SE3	DMERB1577-50SE4		830	
7.750	DMERB1583-50SE1	DMERB1583-50SE2	DMERB1583-50SE3	DMERB1583-50SE4		830	
8.250	DMERB1587-50SE1	DMERB1587-50SE2	DMERB1587-50SE3	DMERB1587-50SE4		900	
8.750	DMERB1593-50SE1	DMERB1593-50SE2	DMERB1593-50SE3	DMERB1593-50SE4		900	DMEJ214
9.250	DMERB1597-50SE1	DMERB1597-50SE2	DMERB1597-50SE3	DMERB1597-50SE4		900	

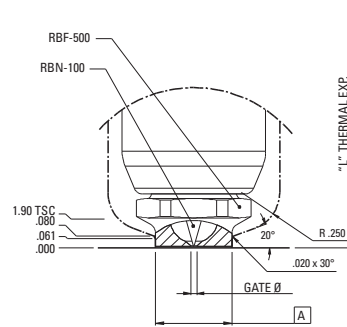
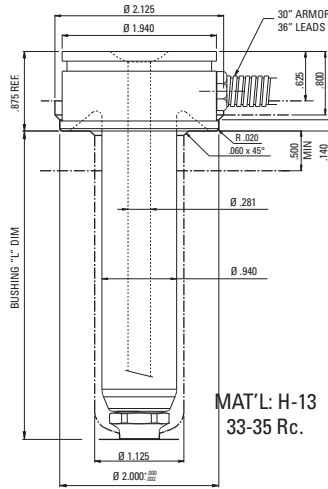
LENGTH	3/4" SPHERICAL RADIUS				VOLTS	WATTS	REPL. T/C
	0.750 FIT DIA	0.750 FIT EXTRA STK*	1.000 FIT DIA	1.000 FIT EXTRA STK*			
2.250	DMERB1527-75SE1	DMERB1527-75SE2	DMERB1527-75SE3	DMERB1527-75SE4	240V	475	DMEJ206
2.750	DMERB1533-75SE1	DMERB1533-75SE2	DMERB1533-75SE3	DMERB1533-75SE4		550	
3.250	DMERB1537-75SE1	DMERB1537-75SE2	DMERB1537-75SE3	DMERB1537-75SE4		640	
3.750	DMERB1543-75SE1	DMERB1543-75SE2	DMERB1543-75SE3	DMERB1543-75SE4		640	DMEJ210
4.250	DMERB1547-75SE1	DMERB1547-75SE2	DMERB1547-75SE3	DMERB1547-75SE4		680	
4.750	DMERB1553-75SE1	DMERB1553-75SE2	DMERB1553-75SE3	DMERB1553-75SE4		760	
5.250	DMERB1557-75SE1	DMERB1557-75SE2	DMERB1557-75SE3	DMERB1557-75SE4		760	
5.750	DMERB1563-75SE1	DMERB1563-75SE2	DMERB1563-75SE3	DMERB1563-75SE4		760	
6.250	DMERB1567-75SE1	DMERB1567-75SE2	DMERB1567-75SE3	DMERB1567-75SE4		830	
6.750	DMERB1573-75SE1	DMERB1573-75SE2	DMERB1573-75SE3	DMERB1573-75SE4		830	
7.250	DMERB1577-75SE1	DMERB1577-75SE2	DMERB1577-75SE3	DMERB1577-75SE4		830	
7.750	DMERB1583-75SE1	DMERB1583-75SE2	DMERB1583-75SE3	DMERB1583-75SE4		830	
8.250	DMERB1587-75SE1	DMERB1587-75SE2	DMERB1587-75SE3	DMERB1587-75SE4		900	
8.750	DMERB1593-75SE1	DMERB1593-75SE2	DMERB1593-75SE3	DMERB1593-75SE4		900	DMEJ214
9.250	DMERB1597-75SE1	DMERB1597-75SE2	DMERB1597-75SE3	DMERB1597-75SE4		900	

\*NOTE: The extra stock tip requires flowpath finishing by Mold Builder

# RB 10-SERIES FULL BODY MEDIUM

**0.940 DIA FULL BODY TIP**  
**1/2" & 3/4" SPHERICAL RADIUS**

MAT'L: H-13  
 33-35 Rc.

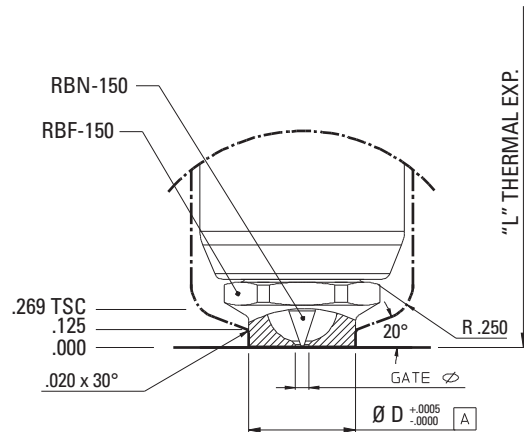
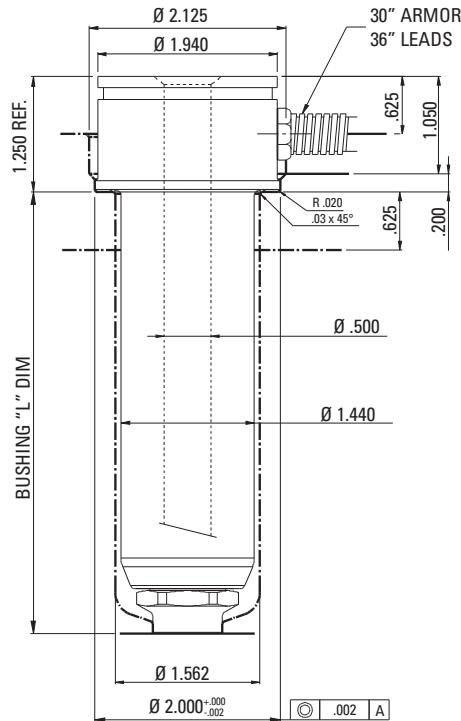


LENGTH	1/2" SPHERICAL RADIUS			VOLTS	WATTS	REPL. T/C
	0.500 FIT DIA	0.750 FIT DIA	1.000 FIT DIA			
1.875	DMERB1023-50FE1	DMERB1023-50FE2	DMERB1023-50FE3	240V	345	DMEJ206
2.375	DMERB1027-50FE1	DMERB1027-50FE2	DMERB1027-50FE3		365	
2.875	DMERB1033-50FE1	DMERB1033-50FE2	DMERB1033-50FE3		395	
3.375	DMERB1037-50FE1	DMERB1037-50FE2	DMERB1037-50FE3		440	DMEJ210
3.875	DMERB1043-50FE1	DMERB1043-50FE2	DMERB1043-50FE3		460	
4.375	DMERB1047-50FE1	DMERB1047-50FE2	DMERB1047-50FE3		485	
4.875	DMERB1053-50FE1	DMERB1053-50FE2	DMERB1053-50FE3		510	
5.375	DMERB1057-50FE1	DMERB1057-50FE2	DMERB1057-50FE3		535	
5.875	DMERB1063-50FE1	DMERB1063-50FE2	DMERB1063-50FE3		560	
6.375	DMERB1067-50FE1	DMERB1067-50FE2	DMERB1067-50FE3		585	DMEJ214
6.875	DMERB1073-50FE1	DMERB1073-50FE2	DMERB1073-50FE3		610	
7.375	DMERB1077-50FE1	DMERB1077-50FE2	DMERB1077-50FE3		635	
7.875	DMERB1083-50FE1	DMERB1083-50FE2	DMERB1083-50FE3		660	
8.375	DMERB1087-50FE1	DMERB1087-50FE2	DMERB1087-50FE3		685	
8.875	DMERB1093-50FE1	DMERB1093-50FE2	DMERB1093-50FE3		710	
9.375	DMERB1097-50FE1	DMERB1097-50FE2	DMERB1097-50FE3		735	

LENGTH	3/4" SPHERICAL RADIUS			VOLTS	WATTS	REPL. T/C
	0.500 FIT DIA	0.750 FIT DIA	1.000 FIT DIA			
1.875	DMERB1023-75FE1	DMERB1023-75FE2	DMERB1023-75FE3	240V	345	DMEJ206
2.375	DMERB1027-75FE1	DMERB1027-75FE2	DMERB1027-75FE3		365	
2.875	DMERB1033-75FE1	DMERB1033-75FE2	DMERB1033-75FE3		395	
3.375	DMERB1037-75FE1	DMERB1037-75FE2	DMERB1037-75FE3		440	DMEJ210
3.875	DMERB1043-75FE1	DMERB1043-75FE2	DMERB1043-75FE3		460	
4.375	DMERB1047-75FE1	DMERB1047-75FE2	DMERB1047-75FE3		485	
4.875	DMERB1053-75FE1	DMERB1053-75FE2	DMERB1053-75FE3		510	
5.375	DMERB1057-75FE1	DMERB1057-75FE2	DMERB1057-75FE3		535	
5.875	DMERB1063-75FE1	DMERB1063-75FE2	DMERB1063-75FE3		560	
6.375	DMERB1067-75FE1	DMERB1067-75FE2	DMERB1067-75FE3		585	
6.875	DMERB1073-75FE1	DMERB1073-75FE2	DMERB1073-75FE3		610	
7.375	DMERB1077-75FE1	DMERB1077-75FE2	DMERB1077-75FE3		635	
7.875	DMERB1083-75FE1	DMERB1083-75FE2	DMERB1083-75FE3		660	
8.375	DMERB1087-75FE1	DMERB1087-75FE2	DMERB1087-75FE3		685	
8.875	DMERB1093-75FE1	DMERB1093-75FE2	DMERB1093-75FE3		710	
9.375	DMERB1097-75FE1	DMERB1097-75FE2	DMERB1097-75FE3		735	

# RB 15-SERIES FULL BODY LARGE

**1.440 DIA FULL BODY TIP**  
**1/2" & 3/4" SPHERICAL RADIUS**  
 MAT'L: H-13  
 33-35 Rc.

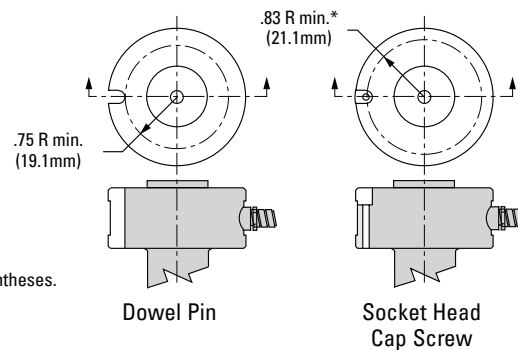
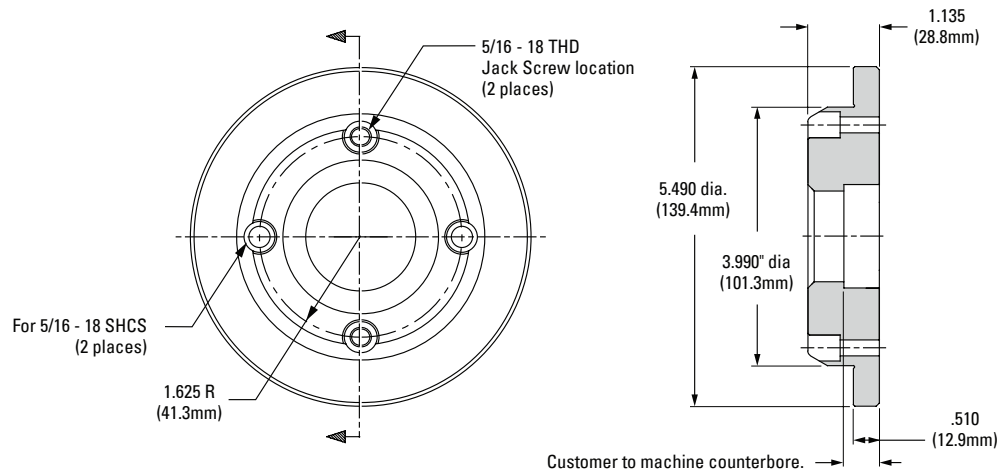


LENGTH	1/2" SPHERICAL RADIUS		3/4" SPHERICAL RADIUS		VOLTS	WATTS	REPL. T/C
	0.750 FIT DIA	1.000 FIT DIA	0.750 FIT DIA	1.000 FIT DIA			
2.250	DMERB1527-50FE1	DMERB1527-50FE2	DMERB1527-75FE1	DMERB1527-75FE2	240V	475	DMEJ206
2.750	DMERB1533-50FE1	DMERB1533-50FE2	DMERB1533-75FE1	DMERB1533-75FE2	240V	550	
3.250	DMERB1537-50FE1	DMERB1537-50FE2	DMERB1537-75FE1	DMERB1537-75FE2	240V	640	
3.750	DMERB1543-50FE1	DMERB1543-50FE2	DMERB1543-75FE1	DMERB1543-75FE2	240V	640	DMEJ210
4.250	DMERB1547-50FE1	DMERB1547-50FE2	DMERB1547-75FE1	DMERB1547-75FE2	240V	680	
4.750	DMERB1553-50FE1	DMERB1553-50FE2	DMERB1553-75FE1	DMERB1553-75FE2	240V	760	
5.250	DMERB1557-50FE1	DMERB1557-50FE2	DMERB1557-75FE1	DMERB1557-75FE2	240V	760	
5.750	DMERB1563-50FE1	DMERB1563-50FE2	DMERB1563-75FE1	DMERB1563-75FE2	240V	760	
6.250	DMERB1567-50FE1	DMERB1567-50FE2	DMERB1567-75FE1	DMERB1567-75FE2	240V	830	
6.750	DMERB1573-50FE1	DMERB1573-50FE2	DMERB1573-75FE1	DMERB1573-75FE2	240V	830	DMEJ214
7.250	DMERB1577-50FE1	DMERB1577-50FE2	DMERB1577-75FE1	DMERB1577-75FE2	240V	830	
7.750	DMERB1583-50FE1	DMERB1583-50FE2	DMERB1583-75FE1	DMERB1583-75FE2	240V	830	
8.250	DMERB1587-50FE1	DMERB1587-50FE2	DMERB1587-75FE1	DMERB1587-75FE2	240V	900	DMEJ214
8.750	DMERB1593-50FE1	DMERB1593-50FE2	DMERB1593-75FE1	DMERB1593-75FE2	240V	900	
9.250	DMERB1597-50FE1	DMERB1597-50FE2	DMERB1597-75FE1	DMERB1597-75FE2	240V	900	



# RB HOT SPRUE BUSHING LOCATING RING

**ITEM NUMBER**  
ML010012



## Machining Options for Keying

\*Centerline for #10 Screw  
Dimensions are in inches; millimeters are in parentheses.



### World Headquarters

#### DME Company LLC

29111 Stephenson Highway  
Madison Heights, MI 48071  
**800-626-6653** toll-free tel  
**248-398-6000** tel  
**888-808-4363** toll-free fax  
[www.dme.net](http://www.dme.net) web  
[dme@dme.net](mailto:dme@dme.net) e-mail

### DME of Canada Ltd.

A-99 First Gulf Blvd.  
Brampton, Ontario  
Canada L6V 4T8  
**800-387-6600** toll-free tel  
**905-677-6370** tel  
**800-461-9965** toll-free fax  
[dme\\_canada@dme.net](mailto:dme_canada@dme.net) e-mail

### DME Mexico / South America

Circuito el Marques Notre, No.55  
Parque Industrial El Marqués  
El Marqués, Querétaro, CP 76246  
**52.442.713.5666** tel  
[dme\\_mexico@dme.net](mailto:dme_mexico@dme.net) e-mail