



DME Quick Mold Locator

PRECISION, ACCURACY & CONSISTENCY
SIMPLY AND RELIABLY

FASTER SETUP TIME WITH THE NEW DME QUICK MOLD LOCATOR

The DME Quick Mold Locator is a simple, reliable, and ingenious system that allows you to set the mold consistently and accurately in the same location on the platen.

WHY DO YOU NEED QUICK MOLD LOCATORS?

Automation and End Of Arm Tooling (EOAT) requires the precise and consistent alignment of the mold within the platen. Without perfect alignment the removal of the parts or runners can be problematic causing part quality issues and leading to a loss of output. Currently, the industry uses a single locating ring to align the mold with the center axis of the platen, but it is difficult to control the entry angle and maintain the mold perpendicular to the stationary platen. The only solution often available is to stop the process and reprogram the EOAT.

THE SOLUTION

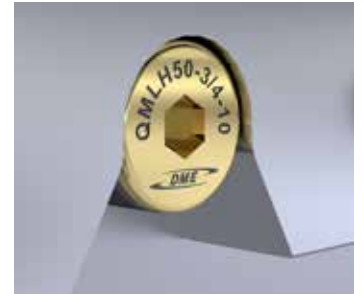
The DME Quick Mold Locators with precision location allowing you to consistently align the mold to the platen saving you valuable time and money.

HOW DO QUICK MOLD LOCATORS WORK FOR HORIZONTAL AND VERTICAL PRESSES?

The Quick Mold Locators utilize the threaded clamp holes on the platen as a reference point to easily and consistently locating the mold. In horizontal press applications, the clamp plate needs modification to accommodate either **Option 1**: a replaceable “C”-shaped locating ring or **Option 2**: incorporating a ring shape directly onto the clamp plate. Choose between Option 1 with a locating ring or Option 2 without.



Option 1 with locating ring



Option 2 without locating ring

Once the mold’s locations are machined, attach the studs. Place two locators on both platens, load the mold onto the locators, and use the rotatable stud bushing to smoothly slide the mold onto the locators. Push the center locating ring into the press and secure it. This ensures the mold is set in the same spot consistently.

For visual reference, additional images of the horizontal Quick Mold Locator systems are provided. Similar Quick Mold Locators have also been developed for vertical press applications, featuring a locating ring and locator with tapers for precise location and easy engagement.



Quick Mold locators have been developed for **vertical press applications** as well. The system also uses a locating ring and locator. Both have a taper on them, which allows for precise location and easy engagement.



Vertical press locator



Vertical press locating ring



This system attaches the locator on the platen and locating ring on the clamp plate, when loading the mold, mold will slide into the locator. This locator can also be used on horizontal presses.

QUICK MOLD LOCATORS

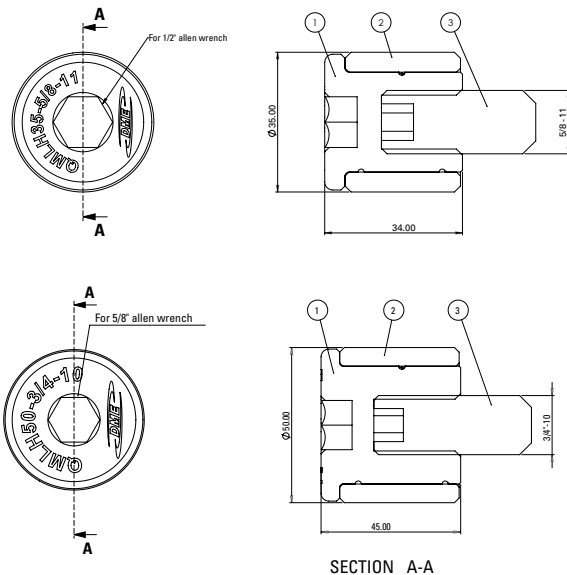
ITEM NUMBER	O.D. (MM)	LENGTH	SHAFT	THREAD	ALLEN	DESCRIPTION
QMLH355811AS	35	35	25	5/8-11	1/2	Horizontal Assembly
QMLHB35						Horizontal Bushing
QMLHR35						Horizontal Locating Ring
QMLH503410AS	50	50	38	3/4-10	5/8"	Horizontal Assembly
QMLHB50						Horizontal Bushing
QMLHR50						Horizontal Locating Ring
QMLV355811	35	35		5/8-11	1/2	Vertical Assembly
QMLVR35						Vertical Locating Ring
QMLV503410	50	50		3/4-10	5/8	Vertical Assembly
QMLVR50						Vertical Locating Ring

Locating rings and bushings are made with bearing steel and heat treated to around HRC 60, both locators have TiN Coating for long life.

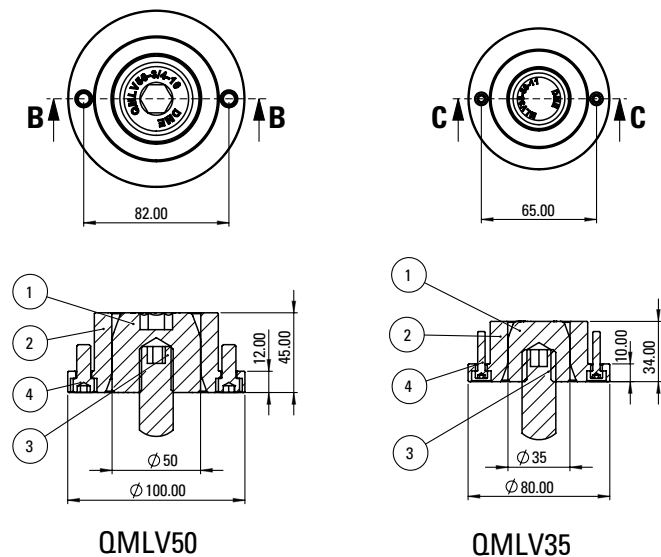
All mounting hardware is included

*additional sizes available upon request

HORIZONTAL SERIES



VERTICAL SERIES

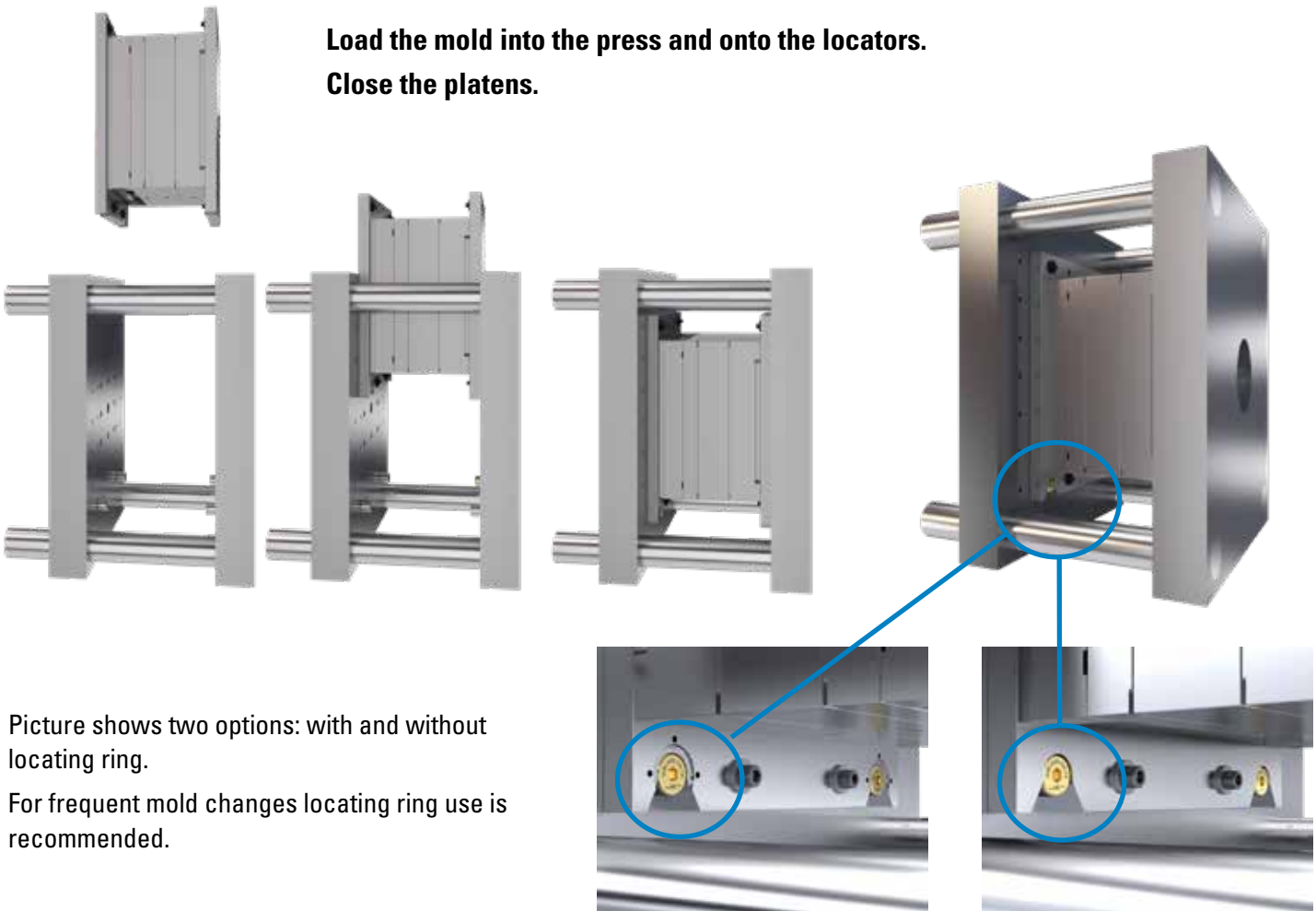


PRODUCT STANDARD SERIES

This product can be used on both imperial and metric standard injection molding machines. The main stud thread of the locators will match the threads of the press platen. When designing the mold select the suitable platen thread location in relation to the sprue/locating ring (this is the location on the mold clamp plate for the notches to be machined) to ensure the injection machine nozzle and sprue match up. On the molding machine, attach the locator to the same location for repeatable mold placement. Locators can be attached in different locations and easily moved using an Allen wrench to accommodate different size mold bases.

- QMLH series for horizontal presses
- QMLV series for vertical presses
- Designed for standard imperial thread sizes (*Metric thread sizes available upon request*)

HORIZONTAL PRESS QUICK MOLD LOCATOR APPLICATION EXAMPLE



World Headquarters

DME Company LLC

29111 Stephenson Highway
Madison Heights, MI 48071

800-626-6653 toll-free tel

248-398-6000 tel

www.DME.net web

DME@DME.net e-mail

DME of Canada Ltd.

5345 Outer Drive Unit# 3
Windsor, Ontario
Canada N9G 0C4

800-387-6600 toll-free tel

905-677-6370 tel

DME_Canada@DME.net e-mail

DME Mexico / South America

Circuito el Marques Notre, No.55
Parque Industrial El Marqués
El Marqués, Querétaro, CP 76246

52.442.713.5666 tel

DME_Mexico@DME.net e-mail