



OPTIM MOLD SERVICE TABLE



YOUR MOLD WILL ALWAYS HAVE THE BEST SEAT AT THE TABLE

1.5 TO 3 TONS
25-15, 25-20 & 25-30 MODEL

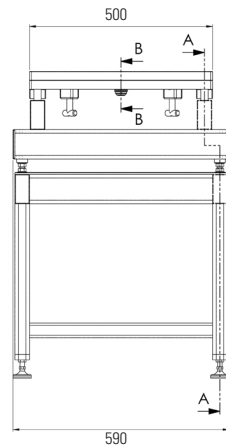
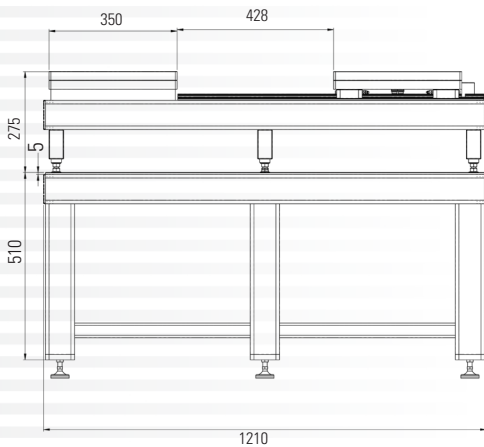
OPTIM Mold Service Table

This new generation of mold service table is specifically designed to:

- Quickly and safely open molds
- Providing access to all parts of the mold for assembly/fitting of components, repair, maintenance, cleaning and production preparation
- Allows the mold to be opened and rotated without the use of cranes
- Rotates 360° for easy access to each mold half with indexing every 90°
- Four (4) standard models available; 1500kg, 2000kg, 3000kg & 6000kg
- Base platform provides a working height of 850mm (33.46")

PART NUMBER
OPTIM2530-850AL

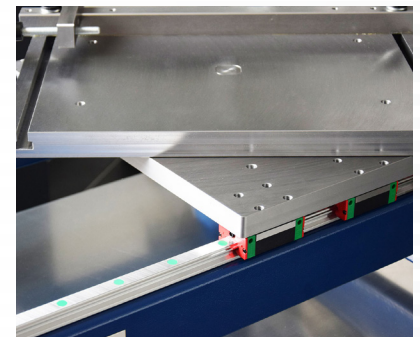
Includes:
Table w/ pivot plates
Platform
Tool Plate



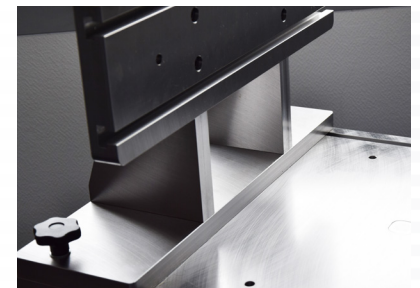
1.5 - 3.0 Ton Models

Dimensions

Length	1200mm (47.24")
Width	600mm (23.62")
Height	850mm (33.46")
Pivot plate dimensions	500mm (19.68") x 350mm (13.78")
Opening Stroke	450mm (17.72")



PIVOT PLATES

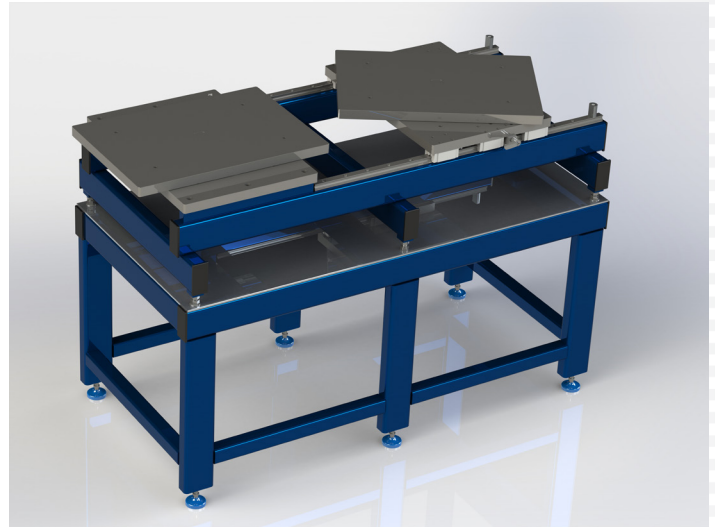


MECHANICAL BRACKET

Model	Description
OPTIM2515	Optim Table max 1500kg
OPTIM2515-850AL	Optim 2515 + Base Platform + AL Toolplate
OPTIM2515-850ALMB	Optim 2515 + Base Platform + AL Toolplate + Mechanical Bracket
OPTIM2520	Optim Table max 2000kg
OPTIM2520-850AL	Optim 2520 + Base Platform + AL Toolplate
OPTIM2520-850ALMB	Optim 2520 + Base Platform + AL Toolplate + Mechanical Bracket
OPTIM2530	Optim Table max 3000kg
OPTIM2530-850AL	Optim 2530 + Base Platform + AL Toolplate
OPTIM2530-850ALMB	Optim 2530 + Base Platform + AL Toolplate + Mechanical Bracket

1.5 TO 3.0 TONS

25-15, 25-20 & 25-30 MODEL



ADVANTAGES

- Top pivot plates easily rotates 360° with locking indexing every 90°
- Mobile pivot plate can be locked into position at the end of opening stroke
- Pivot plates allows the Mold and Plates to be separated and rotated without the use of cranes

OPTIONS

- Base platform provides a working height of 850mm (33.46") includes adjustable feet to adjust working height
- Base platform is available with or without the aluminum tool plate
- Mechanical Brackets to support plates
- Magnetic Brackets to support plates
- T-Slots on pivot plates



Maxi load :

 1500 kg
 2000kg
 3000kg

 Length :
 Width :

 1210mm
 590mm


Plates dimensions :

500mm x 350mm


 Working height without
 extension table :

275mm

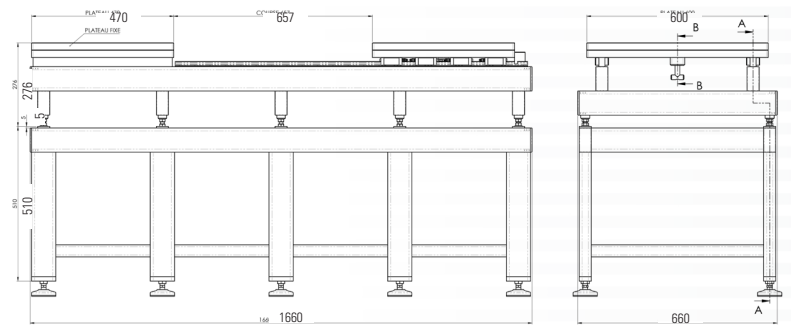


Opening stroke :

428mm

6 TONS

25-60 MODEL



Model	Description
OPTIM2560	Optim Table max 6000 kg
OPTIM2560-850AL	Optim 2560 + Base Platform + AL Toolplate
OPTIM2560-850ALMB	Optim 2560-850ALMB + Base Platform + AL Toolplate + Mechanical Bracket

- ADVANTAGES**
- Top pivot plates easily rotates 360° with locking indexing every 90°
 - Mobile pivot plate can be locked into position at the end of opening stroke
 - Pivot plates allows the Mold and Plates to be separated and rotated without the use of cranes

- OPTIONS**
- Base platform provides a working height of 850mm (33.46") includes adjustable feet to adjust working height
 - Base platform is available with or without the aluminum tool plate
 - Mechanical Brackets to support plates
 - Magnetic Brackets to support plates
 - T-Slots on pivot plates



Maxi load : 6000kg



Lenght : 1660mm
Width : 660mm



Plates dimensions : 600mm x 470mm



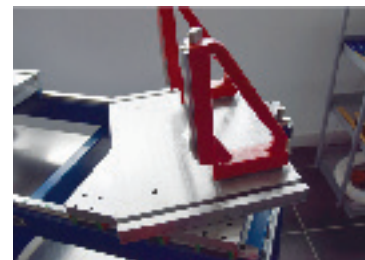
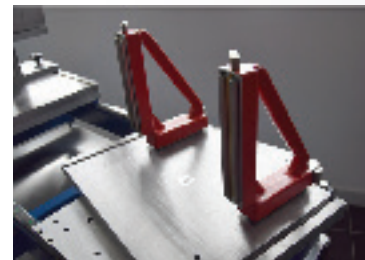
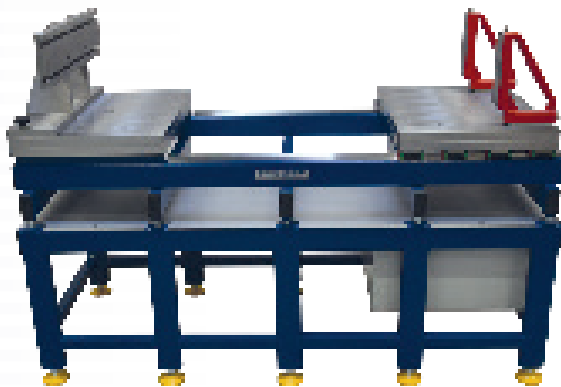
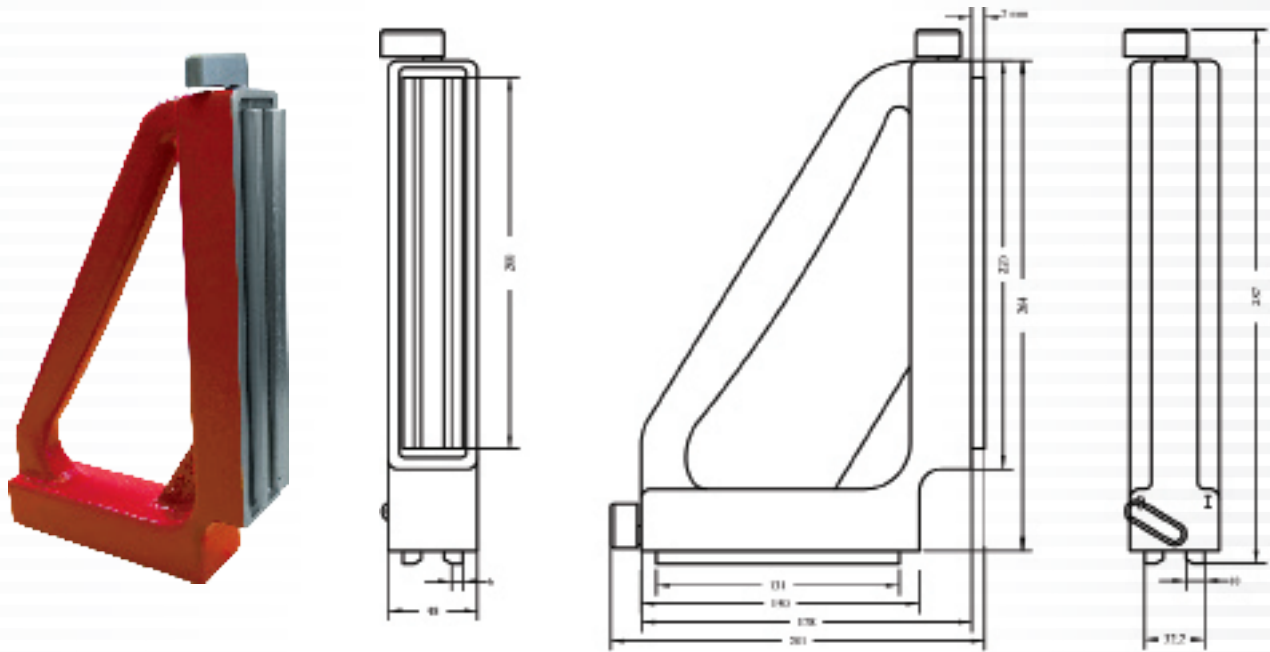
Working height without extension table : 276mm



Opening stroke : 657mm

OPTIONS

MAGNETIC BRACKET



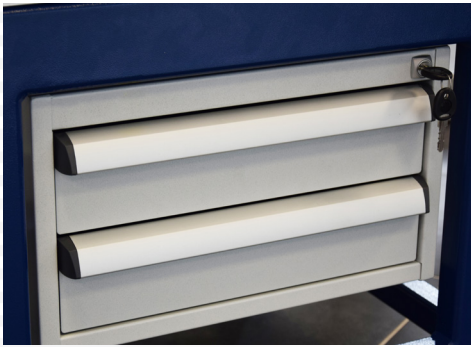
Magnetic Mold Support System Details:

- Allows adjustable positioning / support of plates
- Magnetic force de-activation/activation system
- Not appropriate for tools with floating plates

Part No.	Description
OPTIMEQMAG120090	Magnetic Bracket 135L x 125W x 38H
OPTIMEQMAG150090	Magnetic Bracket 165L x 165W x 45H
OPTIMEQMAG180090	Magnetic Bracket 195L x 195W x 45H
OPTIMEQMAG260090	Magnetic Bracket 285L x 195W x 45H
OPTIMEQMAG130225	Magnetic Bracket 150L x 150W x 38H
OPTIMEQMAG180225	Magnetic Bracket 205L x 205W x 45H

OPTIONS

OPTIONAL DRAWER UNIT



DRAWER UNIT



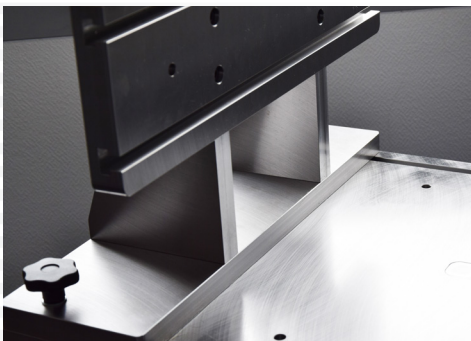
DRAWER UNIT ON 3-TON TABLE



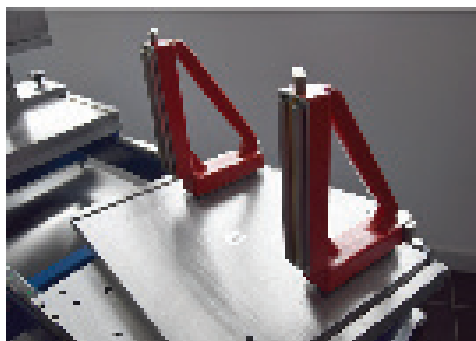
DRAWER UNIT ON 6-TON TABLE



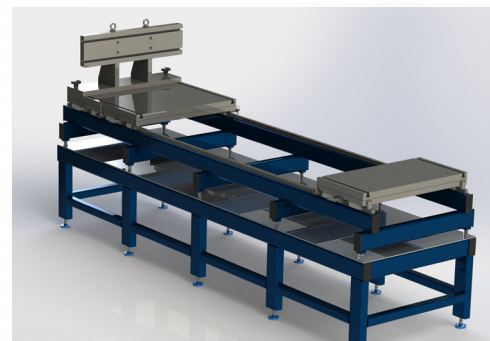
OPTIONAL PARTS & LENGTHS



MECHANICAL BRACKET



MAGNETIC BRACKET



SPECIAL LENGTH WITH MECHANICAL BRACKET



SAFETY

Employee safety
Equipment protection
Reduction of work load



PRODUCTIVITY

Time-saving
Ease of implementation
Space-saving



STANDARD CAPACITY RANGE

1500 kg, 2000 kg, 3000kg, 6000kg
Other custom-made products
by request



Easy Order 24/7

eSTORE
store.dme.net



**Easy Set-up
@dme.net/
videos/media**



With tens of thousands of products to choose from, DME is your one-stop shop for everything molding. From complex undercuts solutions and plate control to standard pins, bushings and interlocks, the DME line of mold components will help you build or rebuild your mold base inside out, top to bottom. Industrial Supplies, Mold Bases, MUD Quick-Change, Control Systems, and Hot Runner solutions round out our extensive offering to truly be your one-stop shop.


World Headquarters
DME Company LLC

29111 Stephenson Highway
Madison Heights, MI 48071

800-626-6653 toll-free tel

248-398-6000 tel

888-808-4363 toll-free fax

www.dme.net web

dme@dme.net e-mail

DME of Canada Ltd.

A - 99 First Gulf BLVD
Brampton , ON
L6W 4T8

800-387-6600 toll-free tel

905-677-6370 tel

800-461-9965 toll-free fax

dme_canada@dme.net e-mail

DME Mexico / South America

Circuito el Marques Notre, No.55
Parque Industrial El Marqués
El Marqués, Querétaro, CP 76246

52.442.713.5666 tel

dme_mexico@dme.net

