



# Equatemp<sup>®</sup> MB Standard Hot Sprue Bushings

## SINGLE ZONE - INTEGRALLY HEATED BODY

### Integrally Heated Sprue Bushings

The Equatemp<sup>®</sup> Integrally Heated Sprue Bushings are unique and simple designs incorporating internal heating elements, allowing for more accurate control to yield a more consistent thermal profile. The MB bushings are very rugged and will deliver long operational life.

These internally-heated devices are an economical option for processing commodity grade resins. Unique design characteristics deliver the highest heat transfer rate, accurate temperature readings and longer heater life, adding up to optimum melt flow control.

Three tip diameters (0.750, 1.000 and 1.500) offer flexibility for direct or runner gating. The “extra-stock” style sprue bushing tips provide additional material for machining profiles or part contours.

A replaceable thermocouple is located at the tip and near the melt flow, improving controllability.

### Features and Benefits:

- **Simple and economical** – designed for commodity resin
- **Integral heater insulation** – improves heat transfer and efficiency.
- **Fully sealed construction** – for increased reliability.
- **High-grade alloy steel construction** – for increased durability.

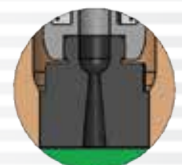
### Hot Sprue Bushing Tip Style

For use where gate vestige is allowed. Provides low resistance to flow with excellent flow rates.

Extended style provides additional stock for machining profiles or part contours.



**SPRUE  
STANDARD**

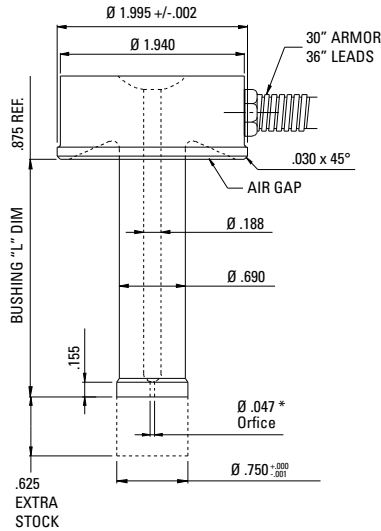


**SPRUE  
EXTRA STOCK**

# MB-SERIES HOT SPRUE BUSHINGS

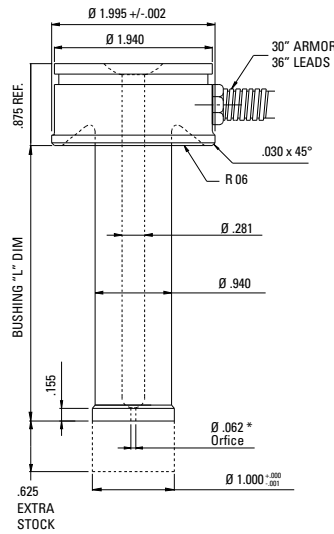
## .750 DIA SPRUE TIP

MAT'L: H-13  
33-35 Rc.



## 1.000 DIA SPRUE TIP

MAT'L: H-13  
33-35 Rc.



*\*Orifice is not drilled in bushings with extra stock.*

Please see back cover for Bushing Selection Guide

.0750 DIA. SPRUE TIP

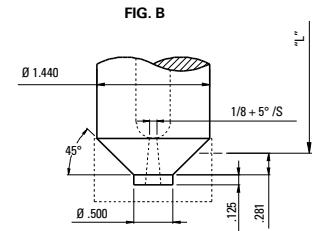
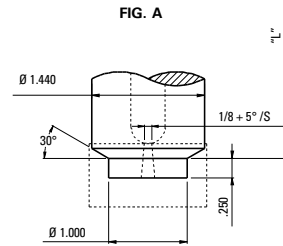
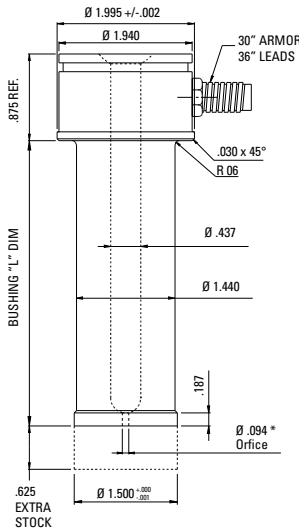
L	1/2" SPHERICAL RADIUS		3/4" SPHERICAL RADIUS		VOLTS	WATTS	REPL. T/C
	STANDARD LENGTH	EXTRA STOCK	STANDARD LENGTH	EXTRA STOCK			
1.500	DMEMB7523-50	DMEMB7523-50ES	DMEMB7523-75	DMEMB7523-75ES	240V	310	DMEJ206
2.000	DMEMB7527-50	DMEMB7527-50ES	DMEMB7527-75	DMEMB7527-75ES		310	
2.500	DMEMB7533-50	DMEMB7533-50ES	DMEMB7533-75	DMEMB7533-75ES		360	
3.000	DMEMB7537-50	DMEMB7537-50ES	DMEMB7537-75	DMEMB7537-75ES		390	
3.500	DMEMB7543-50	DMEMB7543-50ES	DMEMB7543-75	DMEMB7543-75ES		430	DMEJ210
4.000	DMEMB7547-50	DMEMB7547-50ES	DMEMB7547-75	DMEMB7547-75ES		475	
4.500	DMEMB7553-50	DMEMB7553-50ES	DMEMB7553-75	DMEMB7553-75ES		500	

1.000 DIA. SPRUE TIP

L	1/2" SPHERICAL RADIUS		3/4" SPHERICAL RADIUS		VOLTS	WATTS	REPL. T/C
	STANDARD LENGTH	EXTRA STOCK	STANDARD LENGTH	EXTRA STOCK			
1.375	DMEMB1023-50	DMEMB1023-50ES	DMEMB1023-75	DMEMB1023-75ES	240V	345	DMEJ206
1.875	DMEMB1027-50	DMEMB1027-50ES	DMEMB1027-75	DMEMB1027-75ES		365	
2.375	DMEMB1033-50	DMEMB1033-50ES	DMEMB1033-75	DMEMB1033-75ES		395	
2.875	DMEMB1037-50	DMEMB1037-50ES	DMEMB1037-75	DMEMB1037-75ES		440	
3.375	DMEMB1043-50	DMEMB1043-50ES	DMEMB1043-75	DMEMB1043-75ES		460	DMEJ210
3.875	DMEMB1047-50	DMEMB1047-50ES	DMEMB1047-75	DMEMB1047-75ES		485	
4.375	DMEMB1053-50	DMEMB1053-50ES	DMEMB1053-75	DMEMB1053-75ES		510	
4.875	DMEMB1057-50	DMEMB1057-50ES	DMEMB1057-75	DMEMB1057-75ES		535	
5.375	DMEMB1063-50	DMEMB1063-50ES	DMEMB1063-75	DMEMB1063-75ES		560	
5.875	DMEMB1067-50	DMEMB1067-50ES	DMEMB1067-75	DMEMB1067-75ES		585	
6.375	DMEMB1073-50	DMEMB1073-50ES	DMEMB1073-75	DMEMB1073-75ES		610	
6.875	DMEMB1077-50	DMEMB1077-50ES	DMEMB1077-75	DMEMB1077-75ES		635	
7.375	DMEMB1083-50	DMEMB1083-50ES	DMEMB1083-75	DMEMB1083-75ES		660	DMEJ214
7.875	DMEMB1087-50	DMEMB1087-50ES	DMEMB1087-75	DMEMB1087-75ES		685	
8.375	DMEMB1093-50	DMEMB1093-50ES	DMEMB1093-75	DMEMB1093-75ES		710	
8.875	DMEMB1097-50	DMEMB1097-50ES	DMEMB1097-75	DMEMB1097-75ES		735	

# MB-SERIES HOT SPRUE BUSHINGS

**1.500 DIA SPRUE TIP**  
 MAT'L: H-13  
 33-35 Rc.



*\*Orifice is not drilled in bushings with extra stock.*

*Please see back cover for Bushing Selection Guide*

**1.500 DIA SPRUE TIP - 1/2" SPHERICAL RADII**

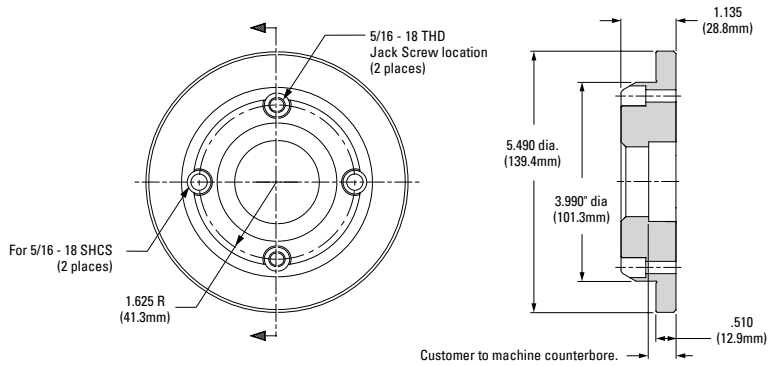
L	1/2" SPHERICAL RADIUS				VOLTS	WATTS	REPL. T/C
	1.500 FIT DIA	1.000 FIT DIA	0.500 FIT DIA	EXTRA STOCK			
1.625	DMEMB1527-50	DMEMB1527-50A	DMEMB1527-50B	DMEMB1527-50ES	240V	475	DMEJ206
2.125	DMEMB1533-50	DMEMB1533-50A	DMEMB1533-50B	DMEMB1533-50ES		550	
2.625	DMEMB1537-50	DMEMB1537-50A	DMEMB1537-50B	DMEMB1537-50ES		640	
3.125	DMEMB1543-50	DMEMB1543-50A	DMEMB1543-50B	DMEMB1543-50ES		640	DMEJ210
3.625	DMEMB1547-50	DMEMB1547-50A	DMEMB1547-50B	DMEMB1547-50ES		680	
4.125	DMEMB1553-50	DMEMB1553-50A	DMEMB1553-50B	DMEMB1553-50ES		760	
4.625	DMEMB1557-50	DMEMB1557-50A	DMEMB1557-50B	DMEMB1557-50ES		760	
5.125	DMEMB1563-50	DMEMB1563-50A	DMEMB1563-50B	DMEMB1563-50ES		760	
5.625	DMEMB1567-50	DMEMB1567-50A	DMEMB1567-50B	DMEMB1567-50ES		830	
6.125	DMEMB1573-50	DMEMB1573-50A	DMEMB1573-50B	DMEMB1573-50ES		830	DMEJ214
6.625	DMEMB1577-50	DMEMB1577-50A	DMEMB1577-50B	DMEMB1577-50ES		830	
7.125	DMEMB1583-50	DMEMB1583-50A	DMEMB1583-50B	DMEMB1583-50ES		830	
7.625	DMEMB1587-50	DMEMB1587-50A	DMEMB1587-50B	DMEMB1587-50ES		900	DMEJ214
8.125	DMEMB1593-50	DMEMB1593-50A	DMEMB1593-50B	DMEMB1593-50ES		900	
8.625	DMEMB1597-50	DMEMB1597-50A	DMEMB1597-50B	DMEMB1597-50ES	900		

**1.500 DIA SPRUE TIP - 3/4" SPHERICAL RADII**

L	3/4" SPHERICAL RADIUS				VOLTS	WATTS	REPL. T/C
	1.500 FIT DIA	1.000 FIT DIA	0.500 FIT DIA	EXTRA STOCK			
1.625	DMEMB1527-75	DMEMB1527-75A	DMEMB1527-75B	DMEMB1527-75ES	240V	475	DMEJ206
2.125	DMEMB1533-75	DMEMB1533-75A	DMEMB1533-75B	DMEMB1533-75ES		550	
2.625	DMEMB1537-75	DMEMB1537-75A	DMEMB1537-75B	DMEMB1537-75ES		640	
3.125	DMEMB1543-75	DMEMB1543-75A	DMEMB1543-75B	DMEMB1543-75ES		640	DMEJ210
3.625	DMEMB1547-75	DMEMB1547-75A	DMEMB1547-75B	DMEMB1547-75ES		680	
4.125	DMEMB1553-75	DMEMB1553-75A	DMEMB1553-75B	DMEMB1553-75ES		760	
4.625	DMEMB1557-75	DMEMB1557-75A	DMEMB1557-75B	DMEMB1557-75ES		760	
5.125	DMEMB1563-75	DMEMB1563-75A	DMEMB1563-75B	DMEMB1563-75ES		760	
5.625	DMEMB1567-75	DMEMB1567-75A	DMEMB1567-75B	DMEMB1567-75ES		830	
6.125	DMEMB1573-75	DMEMB1573-75A	DMEMB1573-75B	DMEMB1573-75ES		830	DMEJ214
6.625	DMEMB1577-75	DMEMB1577-75A	DMEMB1577-75B	DMEMB1577-75ES		830	
7.125	DMEMB1583-75	DMEMB1583-75A	DMEMB1583-75B	DMEMB1583-75ES		830	
7.625	DMEMB1587-75	DMEMB1587-75A	DMEMB1587-75B	DMEMB1587-75ES		900	DMEJ214
8.125	DMEMB1593-75	DMEMB1593-75A	DMEMB1593-75B	DMEMB1593-75ES		900	
8.625	DMEMB1597-75	DMEMB1597-75A	DMEMB1597-75B	DMEMB1597-75ES	900		

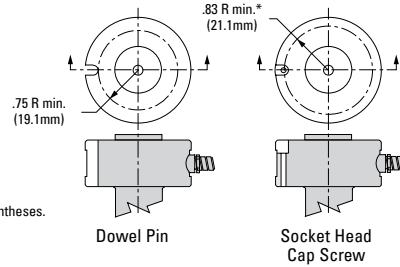
# MD HOT SPRUE BUSHING LOCATING RING

**ITEM NUMBER**  
**ML010012**



## Machining Options for Keying

\*Centerline for #10 Screw  
Dimensions are in inches; millimeters are in parentheses.



## MB Hot Sprue Bushing Selection Guide

DME Hot Runner Technology Selection Guide							MARCH 2023																		
<b>Resin Application Key</b> Good Contact DME Not recommended  <b>Polymer Viscosity Key</b> L=Low M=Medium H=High	The values expressed in grams are for reference only and are determined by using a nominal wall thickness of 1.8mm (.070") and unfilled polypropylene. Part dimension, wall thickness, length of fill within part, mold conditions and molding parameters must also be considered.  NOTE: If flame retardant is present in the desired resin grade, please contact DME for product suitability or application guidance.						<b>Recommended Gate Diameter Range</b>			<b>Flow Capacity (Grams)</b>			<b>GENERIC POLYMER NAME (TRADE NAME) [A=AMORPHOUS or C=CRYSTALLINE]</b> NOTE: THE CHART BELOW SHOWS COMMODITY RESINS IN ORANGE TYPE; ALL OTHERS ARE ENGINEERING RESINS.												
	<b>NOZZLES</b>		<b>TIP</b>		Min (mm)	Max (mm)	Min (inch)	Max (inch)	Low MFI 16	Medium MFI 7-16	High MFI .02-7	L	L	H	M	H	M	L	M	H	M	M	M		
	Equatemp 3/4" Dia Single Zone HSB	Sprue Tip		1.2	2.4	0.047	0.094	300	150	75															
Equatemp 1" Dia Single Zone HSB	Sprue Tip		1.5	3.5	0.062	0.140	550	400	250																
	Standard Point Gate Tip		0.8	1.5	0.030	0.060	250	175	125																
	Wear Resistant Point Gate Tip		1.5	2.5	0.060	0.100	250	175	125																
Equatemp 1.5" Dia Single Zone HSB	Sprue Tip		3.1	5.5	0.125	0.218	1000	775	475																
	Standard Point Gate Tip		0.8	2.0	0.060	0.200	500	375	275																
	Wear Resistant Point Gate Tip		1.5	2.5	0.060	0.200	500	375	275																



**World Headquarters**  
**DME Company LLC**  
 29111 Stephenson Highway  
 Madison Heights, MI 48071  
**800-626-6653 toll-free tel**  
**248-398-6000 tel**  
**888-808-4363 toll-free fax**  
**www.dme.net web**  
**dme@dme.net e-mail**

**DME of Canada Ltd.**  
 A-99 First Gulf Blvd.  
 Brampton, Ontario  
 Canada L6V 4T8  
**800-387-6600 toll-free tel**  
**905-677-6370 tel**  
**800-461-9965 toll-free fax**  
**dme\_canada@dme.net e-mail**

**DME Mexico / South America**  
 Circuito el Marques Notre, No.55  
 Parque Industrial El Marqués  
 El Marqués, Querétaro, CP 76246  
**52.442.713.5666 tel**  
**dme\_mexico@dme.net e-mail**