



MECHANICAL CHAIN LIFTERS

ENTIRELY MECHANICAL

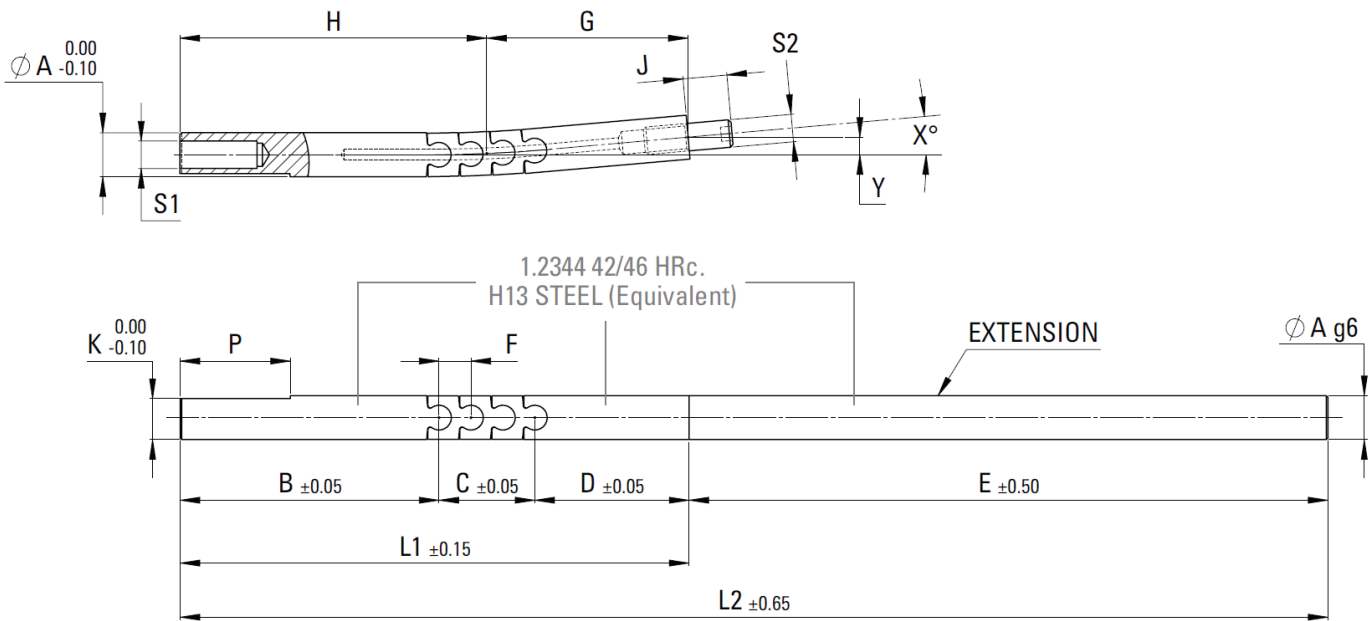
**ELIMINATE SPRING STEEL PRODUCTS
& EJECTOR STROKE LIMITATIONS**

Mechanical Chain Lifters for Undercuts

These lifters are entirely mechanical, utilizing a spline like “chain” technology to articulate and release the undercut without any angled machining to guide the lifter. The lifter does not use any spring steel to achieve articulation thereby eliminating problems associated with spring steel products. Angles can be increased or reduced simply by adding and removing chain segments. Furthermore, they are not limited in ejection stroke compared to other mechanical solutions in the market.

3 Chains

Maximum Ejection Stroke 30mm



GENERAL DIMENSIONS

ITEM NO.	MODEL	A	B	C	D	F	G	H	J	K	L1	L2	S1	S2	P
369050	MCL0603	6	35.8	13.05	28.1	4.35	34.6	42.4	6	5.45	77	157	M4	M4	12
369051	MCL0803	8	47	17.4	28	5.8	36.7	55.7	8	7.45	92.4	208.4	M5	M5	20

EXTENSION RODS

EXTENSION DIMENSIONS

ITEM NO.	MODEL	A	E	S1	S2
367217	EMCL0680	6	80	M4	M4
367218	EMCL08116	8	116	M5	M5

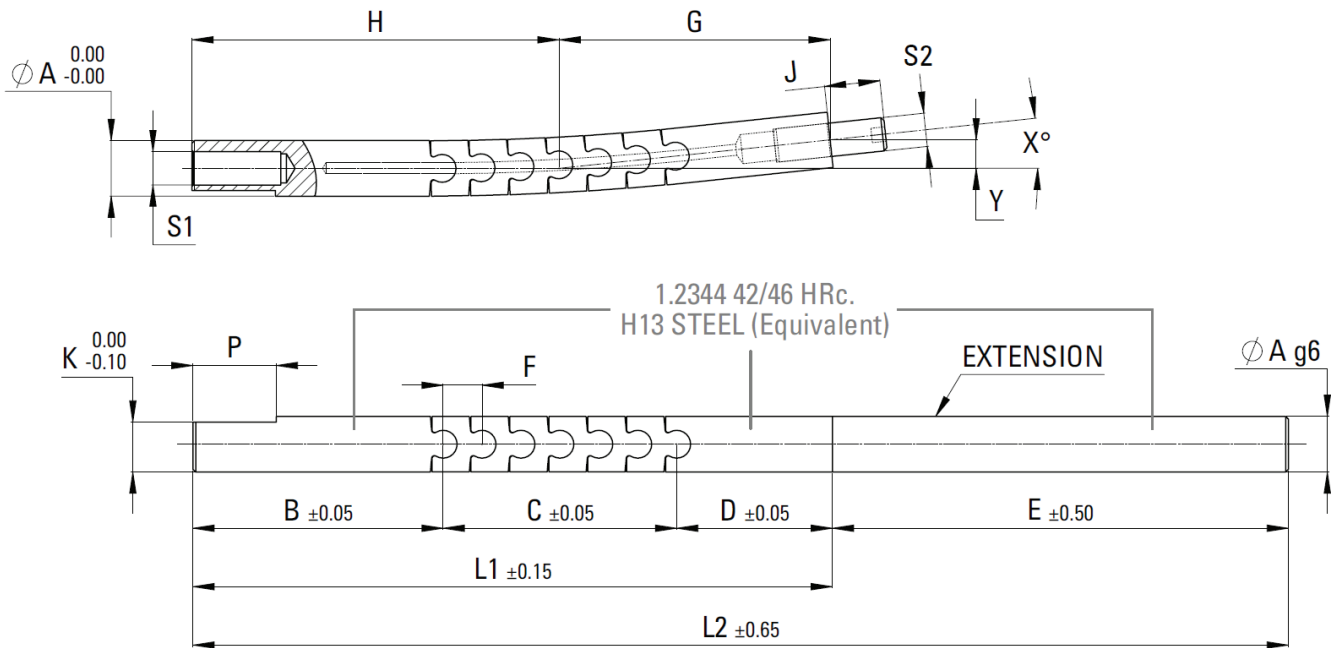
ITEM NO.	MODEL	MAX. STROKE - 30mm				
369050	MCL0603	X°	1	2	3	4
		Y	0.6	1.2	1.81	2.42
369051	MCL0803	X°	1	2	3	4
		Y	0.64	1.28	1.92	2.56

X°= Angle
 Y= Undercut
 Maximum recommended angle 4° for 3 chains
 De-Molding Stroke = Ejection Stroke x tan X°

Mechanical Chain Lifters for Undercuts

6 Chains

Maximum Ejection Stroke 60mm



GENERAL DIMENSIONS

ITEM NO.	MODEL	A	B	C	D	F	G	H	J	K	L1	L2	S1	S2	P
367211	MCL0606	6	35.8	26.1	28.1	4.35	39.7	50.3	6	5.45	90	170	M4	M4	12
367212	MCL0806	8	47	34.8	28	5.8	45.3	64.4	8	7.45	109.8	225.8	M5	M5	20
367213	MCL1206	12	68.8	66	35	11	67.9	101.8	16	10.95	169.8	315.8	M8	M8	25
367214	MCL2006	20	90	84	56	14	95.6	134.4	20	17.95	230	394	M12	M12	30

EXTENSION RODS

ITEM NO.	MODEL	EXTENSION DIMENSIONS			
		A	E	S1	S2
369217	EMCL0680	6	80	M4	M4
367218	EMCL08116	8	116	M5	M5
367219	EMCL12146	12	146	M8	M8
367221	EMCL20164	20	164	M12	M12

ITEM NO.	MODEL	MAX. STROKE - 60mm					
		X°	Y	X°	Y	X°	Y
367211	MCL0606	X°	3	4	5	6	7
		Y	2.08	2.79	3.51	4.23	4.92
367212	MCL0806	X°	3	4	5	6	7
		Y	2.37	3.17	3.96	4.75	5.54
367213	MCL1206	X°	3	4	5	6	7
		Y	3.55	4.74	5.93	7.11	8.29
367214	MCL2006	X°	3	4	5	6	7
		Y	5.07	6.48	8.54	10	11.95

X° = Angle

Y = Undercut

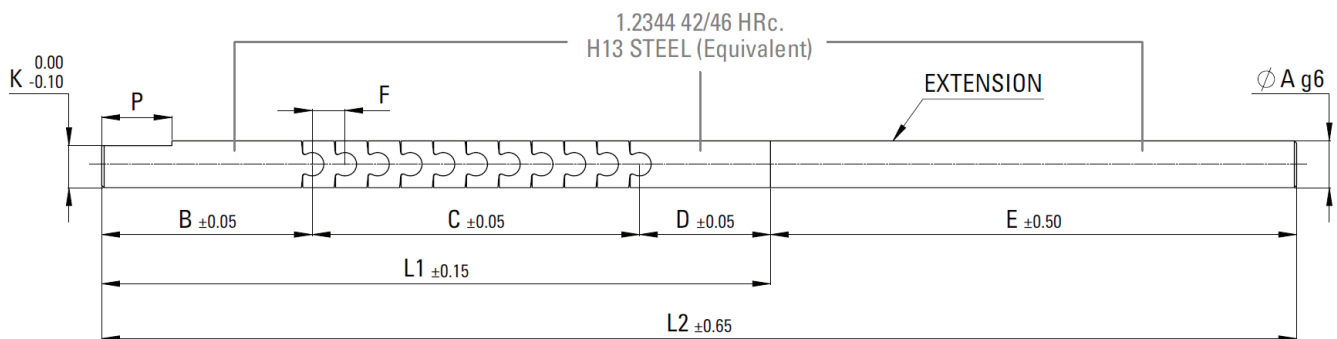
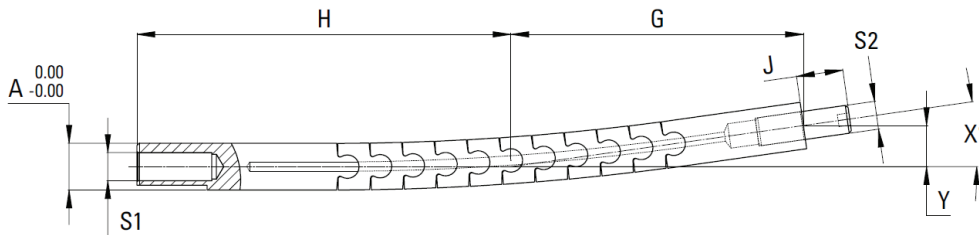
Maximum recommended angle 7° for 6 chains

De-Molding Stroke = Ejection Stroke x tan X°

Mechanical Chain Lifters for Undercuts

10 Chains

Maximum Ejection Stroke 120mm



GENERAL DIMENSIONS

ITEM NO.	MODEL	A	B	C	D	F	G	H	J	K	L1	L2	S1	S2	P
367215	MCL1210	12	68.8	110	35	11	89.9	123.8	15	10.95	213.8	359.8	M8	M8	25
367216	MCL2010	20	90	140	56	14	125.8	160	20	17.95	286	450	M12	M12	30

EXTENSION RODS

EXTENSION DIMENSIONS

ITEM NO.	MODEL	A	E	S1	S2
367219	EMCL12146	12	146	M8	M8
367221	EMCL20164	20	164	M12	M12

ITEM NO.	MODEL	MAX. STROKE - 120mm									
		X°	3	4	5	6	7	8	9	10	
367211	MCL1210	Y	4.66	6.27	7.85	9.41	10.97	12.54	14.08	15.65	
		X°	3	4	5	6	7	8	9	10	
367212	MCL2010	Y	6.6	8.79	11	13.18	15.37	17.55	19.73	21.9	
		X°	3	4	5	6	7	8	9	10	

X°= Angle

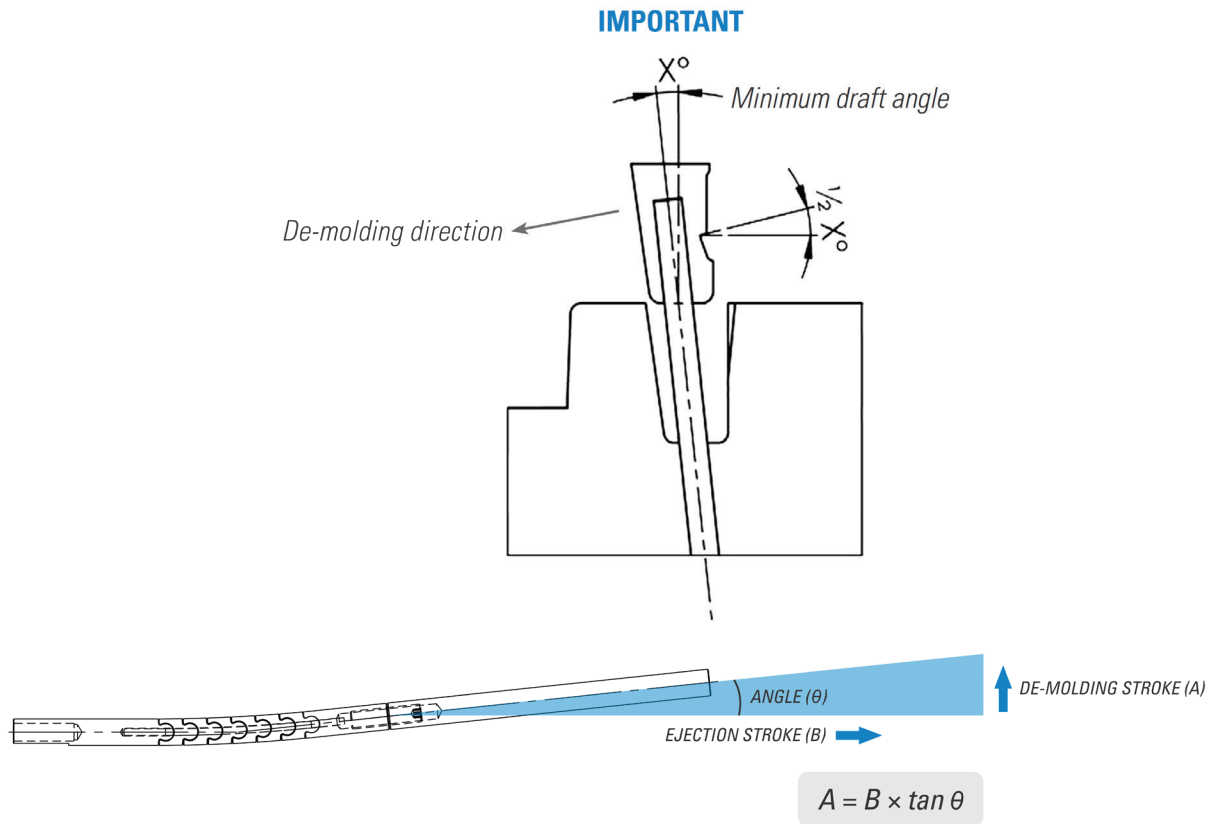
Y= Undercut

Maximum recommended angle 10° for 10 chains

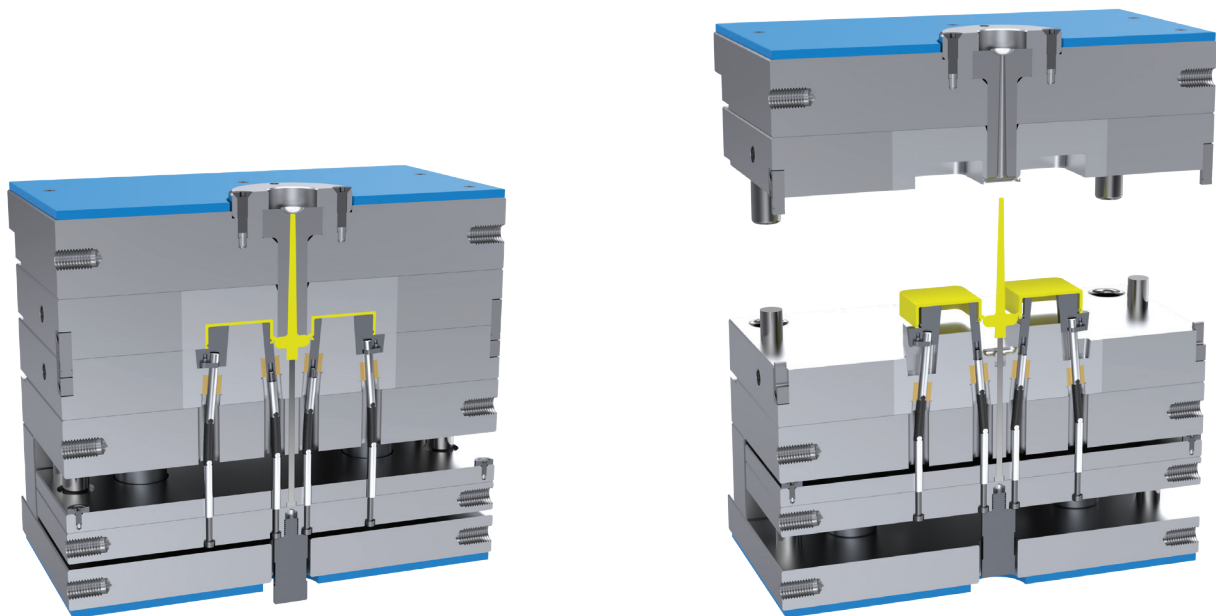
De-Molding Stroke = Ejection Stroke x tan X°

Mechanical Chain Lifters for Undercuts

Tool Example

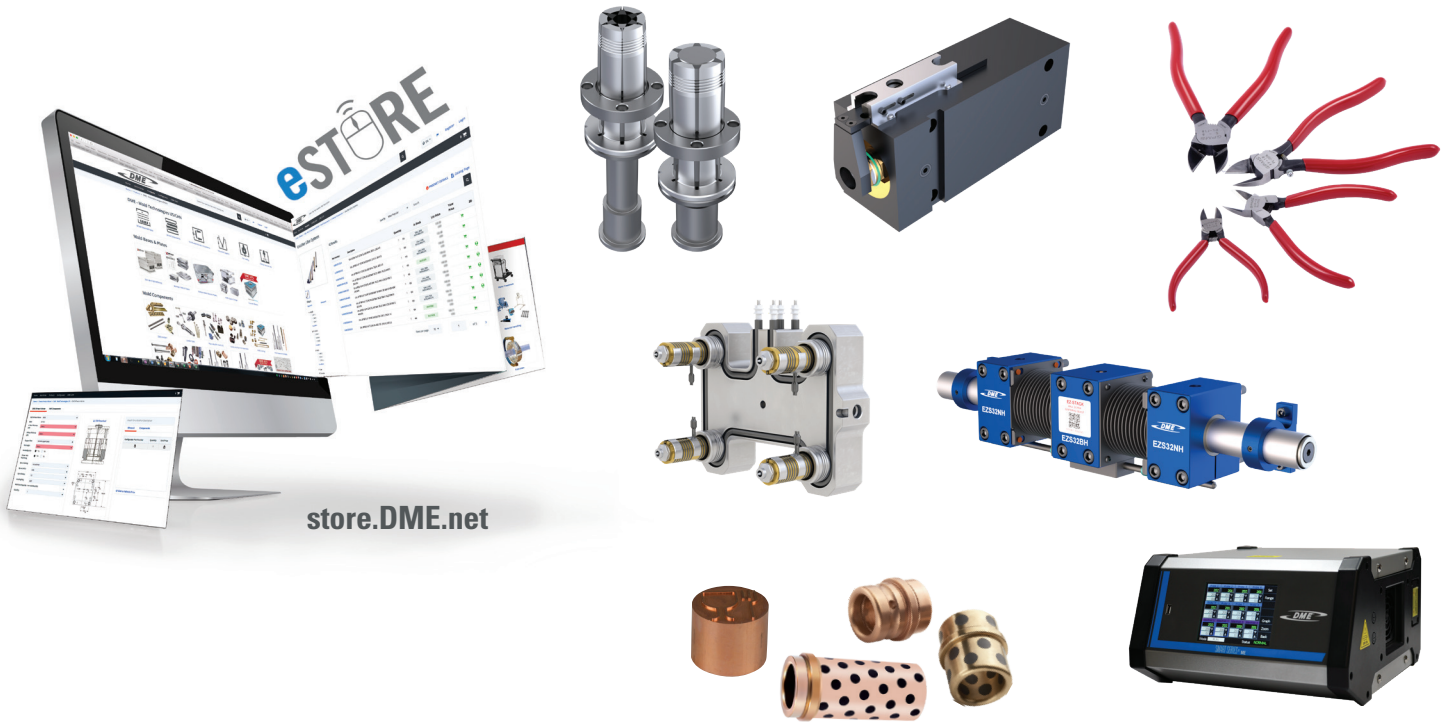


The stroke multiplied by the tangent of the angle, give us the de-molding stroke of the lifter.



With tens of thousands of products to choose from, DME is your one-stop shop for everything molding.

From complex undercuts solutions and plate control to standard pins, bushings and interlocks, the DME line of mold components will help you build or rebuild your mold base inside out, top to bottom. Industrial Supplies, Mold Bases, MUD Quick-Change, Control Systems, and Hot Runner solutions round out our extensive offering to truly be your one-stop shop.



store.DME.net



World Headquarters

DME Company LLC

29111 Stephenson Highway
Madison Heights, MI 48071
800-626-6653 toll-free tel
248-398-6000 tel
www.DME.net web
DME@DME.net e-mail

DME Canada

5345 Outer Drive Unit 3
Windsor, Ontario
Canada N9G 0C4
800-387-6600 toll-free tel
905-677-6370 tel
DME_Canada@DME.net e-mail

DME Mexico / South America

Circuito el Marques Notre, No.55
Parque Industrial El Marqués
El Marqués, Querétaro, CP 76246
52.442.713.5666 tel
DME_Mexico@DME.net e-mail