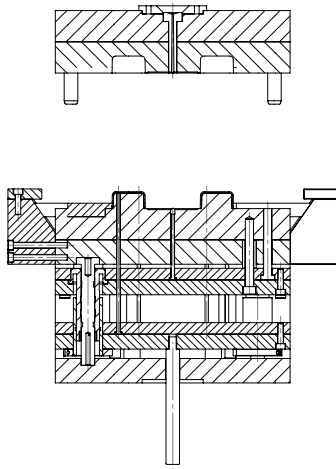
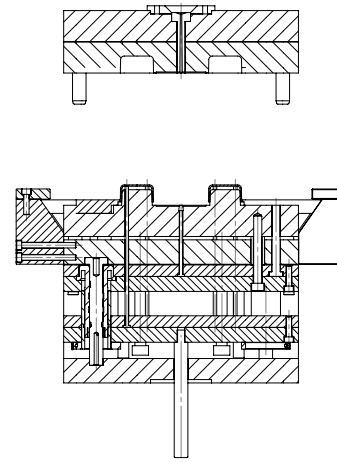


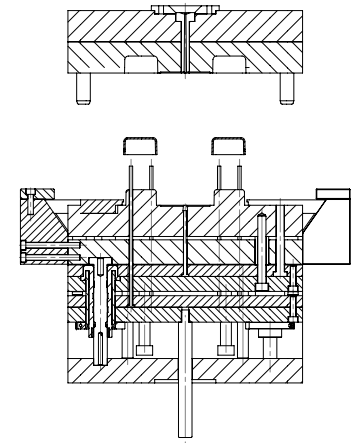
SECTION A-A



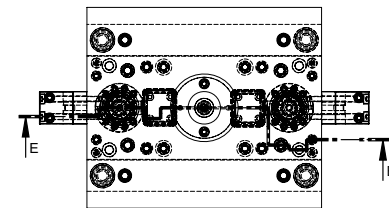
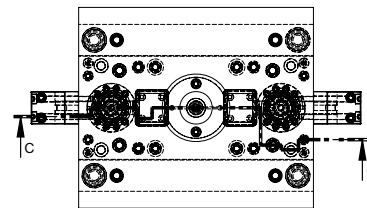
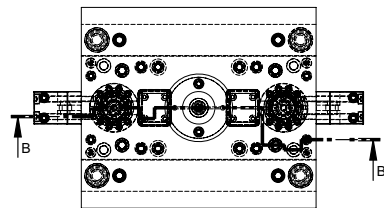
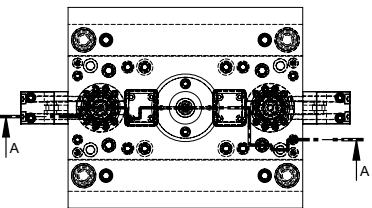
SECTION B-B



SECTION C-C



SECTION E-E



**TWO STAGE EJECTOR BOTTOM LAST - TSBL  
APPLICATION EXAMPLE 5**