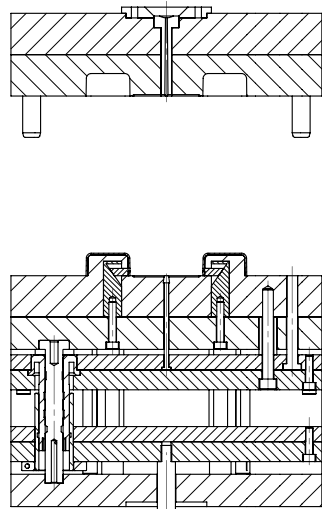
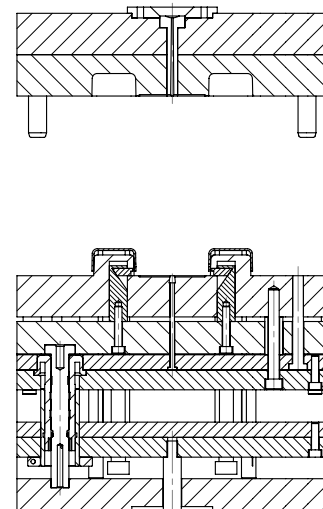


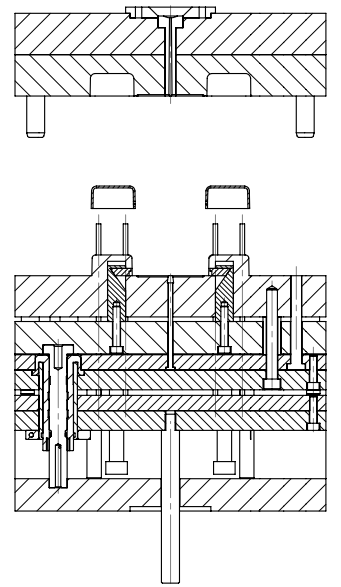
SECTION A-A



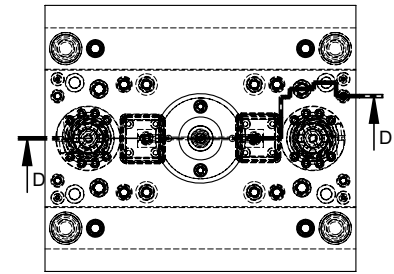
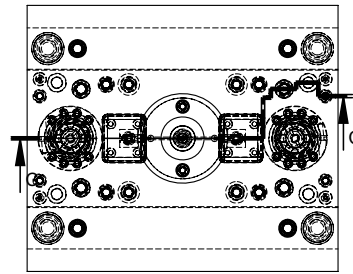
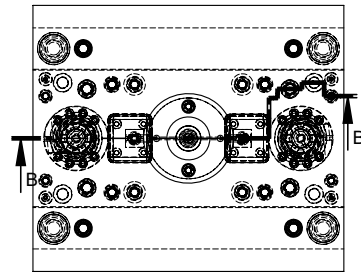
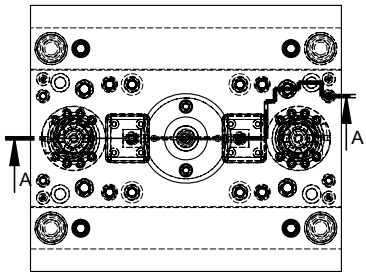
SECTION B-B



SECTION C-C



SECTION D-D



TWO STAGE EJECTOR BOTTOM LAST - TSBL  
APPLICATION EXAMPLE 3