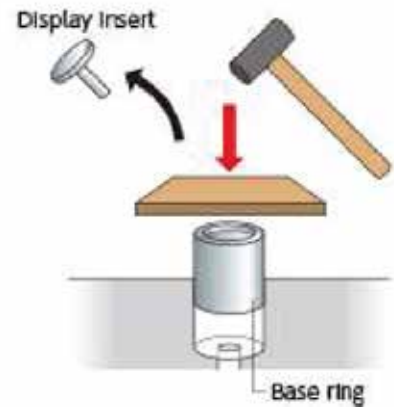




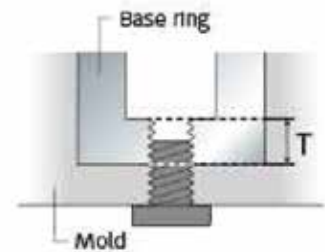
Switch Insert Base Ring Installation

1 - Remove the display insert before trying to embed the base to avoid damaging it.

2 - Insert the display insert after installing the base ring.

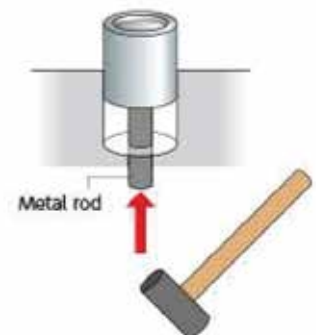


3 - Retract the screw beyond the the "T"



Switch Insert Base Ring Removal

Make a hole at the back and use a rod to remove.



World Headquarters
DME Company LLC
29111 Stephenson Highway
Madison Heights, MI 48071
800-626-6653 toll-free tel
248-398-6000 tel
www.dme.net web
dme@dme.net e-mail

DME of Canada Ltd.
A-94 First Gulf Blvd.
Brampton, Ontario
Canada L6W 4T8
800-387-6600 toll-free tel
905-677-6370 tel
800-461-9965 toll-free fax
dme_canada@dme.net e-mail