

HPS9999

09-08

ME-0739-PS-433-B

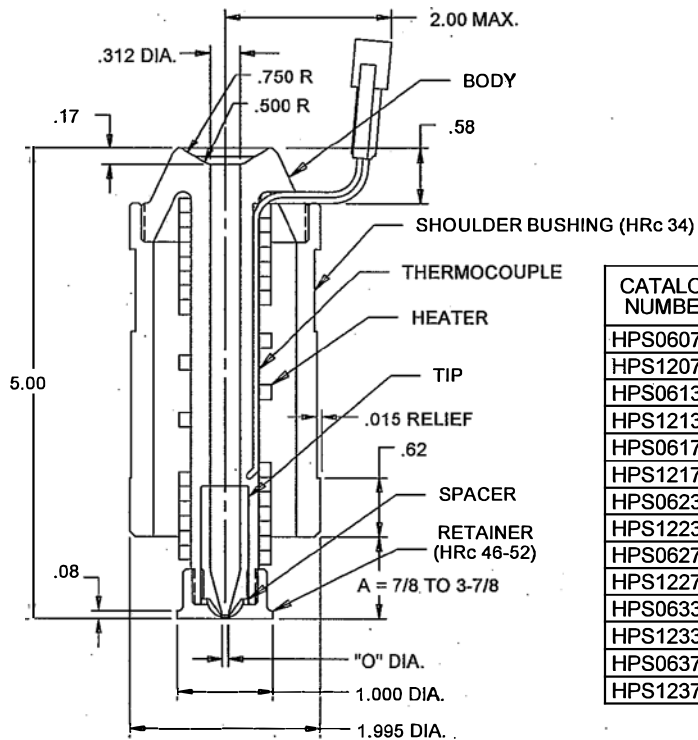
DME

INSTALLATION DATA

FOR HP-SERIES STRAIGHT SHOTS

PLEASE READ CAREFULLY BEFORE INSTALLING COMPONENTS

HP-Series Straight Shot® "S" Type



CATALOG NUMBER	"O" DIA.	SHOULDER LENGTH A
HPS0607S2	0.062	7/8
HPS1207S2	0.125	7/8
HPS0613S2	0.062	1-3/8
HPS1213S2	0.125	1-3/8
HPS0617S2	0.062	1-7/8
HPS1217S2	0.125	1-7/8
HPS0623S2	0.062	2-3/8
HPS1223S2	0.125	2-3/8
HPS0627S2	0.062	2-7/8
HPS1227S2	0.125	2-7/8
HPS0633S2	0.062	3-3/8
HPS1233S2	0.125	3-3/8
HPS0637S2	0.062	3-7/8
HPS1237S2	0.125	3-7/8

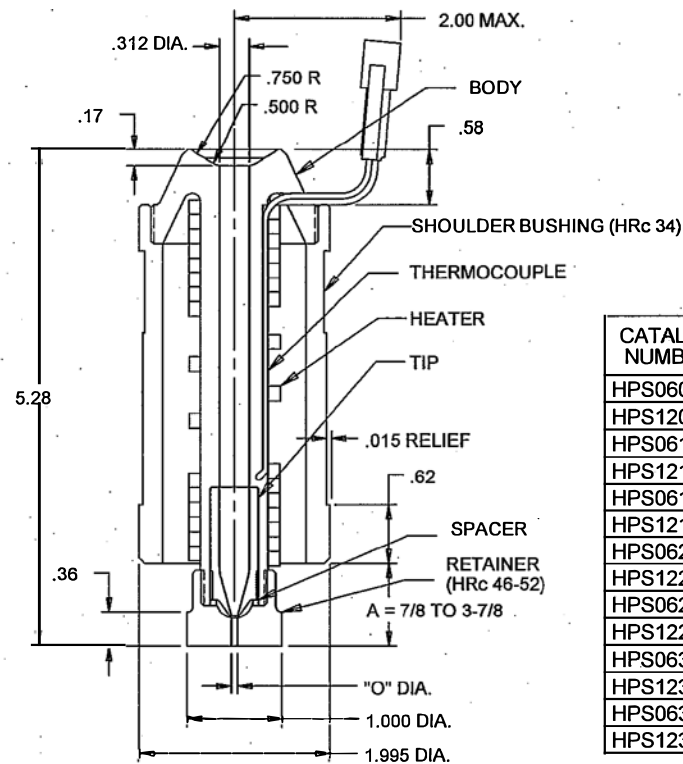
REPLACEMENT PARTS
NOTE: DIMENSIONS ARE IN INCHES

ASSEMBLY CAT. NO.	BODY CAT. NO.	SHOULDER BUSHING CAT. NO.	TIP CAT. NO.	RETAINER CAT. NO.	SPACER CAT. NO.	HEATER CAT. NO.	THERMOCOUPLE CAT. NO.
HPS0607S2	HPS0001	HPS1007	HPT0001	HPT0601	HPT1001	HPS2001	HPTS3001
HPS0613S2		HPS1013					
HPS0617S2		HPS1017					
HPS0623S2		HPS1023					
HPS0627S2		HPS1027					
HPS0633S2		HPS1033					
HPS0637S2		HPS1037					
HPS1207S2	HPS0001	HPS1007	HPT0002	HPT1201	HPT1001	HPS2001	HPTS3001
HPS1213S2		HPS1013					
HPS1217S2		HPS1017					
HPS1223S2		HPS1023					
HPS1227S2		HPS1027					
HPS1233S2		HPS1033					
HPS1237S2		HPS1037					

D M E SHALL NOT BE LIABLE FOR MISUSE OR FAILURE TO FOLLOW THE ENCLOSED INSTRUCTIONS AND SPECIFICATIONS. D M E HERBY DISCLAIMS ALL IMPLIED WARRANTIES, INCLUDING MERCHANTABILITY AND FITNESS FOR A PARTICULAR PURPOSE. IN NO EVENT SHALL D M E BE RESPONSIBLE FOR LOSS OF USE, REVENUE OR PROFIT, OR FOR INCIDENTAL OR CONSEQUENTIAL DAMAGES.

HP-Series Straight Shot® "E" Type

("E" TYPE RETAINER MUST BE MODIFIED)



CATALOG NUMBER	"O" DIA.	SHOULDER LENGTH A
HPS0607E2	0.062	7/8
HPS1207E2	0.125	7/8
HPS0613E2	0.062	1-3/8
HPS1213E2	0.125	1-3/8
HPS0617E2	0.062	1-7/8
HPS1217E2	0.125	1-7/8
HPS0623E2	0.062	2-3/8
HPS1223E2	0.125	2-3/8
HPS0627E2	0.062	2-7/8
HPS1227E2	0.125	2-7/8
HPS0633E2	0.062	3-3/8
HPS1233E2	0.125	3-3/8
HPS0637E2	0.062	3-7/8
HPS1237E2	0.125	3-7/8

REPLACEMENT PARTS

ASSEMBLY CAT. NO.	BODY CAT. NO.	SHOULDER BUSHING CAT. NO.	TIP CAT. NO.	RETAINER CAT. NO.	SPACER CAT. NO.	HEATER CAT. NO.	THERMOCOUPLE CAT. NO.
HPS0607E2	HPS0001	HPS2007	HPT0001	HPT0602	HPT1001	HPS2001	HPTS3001
HPS0613E2		HPS2013					
HPS0617E2		HPS2017					
HPS0623E2		HPS2023					
HPS0627E2		HPS2027					
HPS0633E2		HPS2033					
HPS0637E2		HPS2037					
HPS1207E2	HPS0001	HPS2007	HPT0002	HPT1202	HPT1001	HPS2001	HPTS3001
HPS1213E2		HPS2013					
HPS1217E2		HPS2017					
HPS1223E2		HPS2023					
HPS1227E2		HPS2027					
HPS1233E2		HPS2033					
HPS1237E2		HPS2037					

