



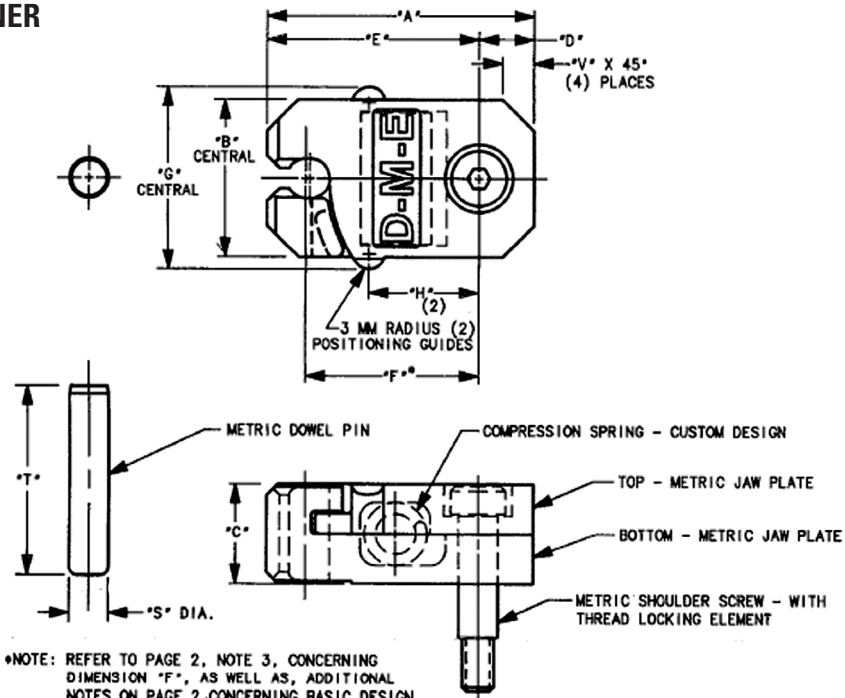
29111 Stephenson Hwy.
Madison Heights, MI 48071 USA
800-626-6653

Metric Slide Retainer

INSTALLATION DATA

PLEASE READ CAREFULLY BEFORE INSTALLING METRIC SLIDE RETAINER
REFER TO CHARTS & APPLICATION DRAWINGS FOR INSTALLATION DIMENSIONS

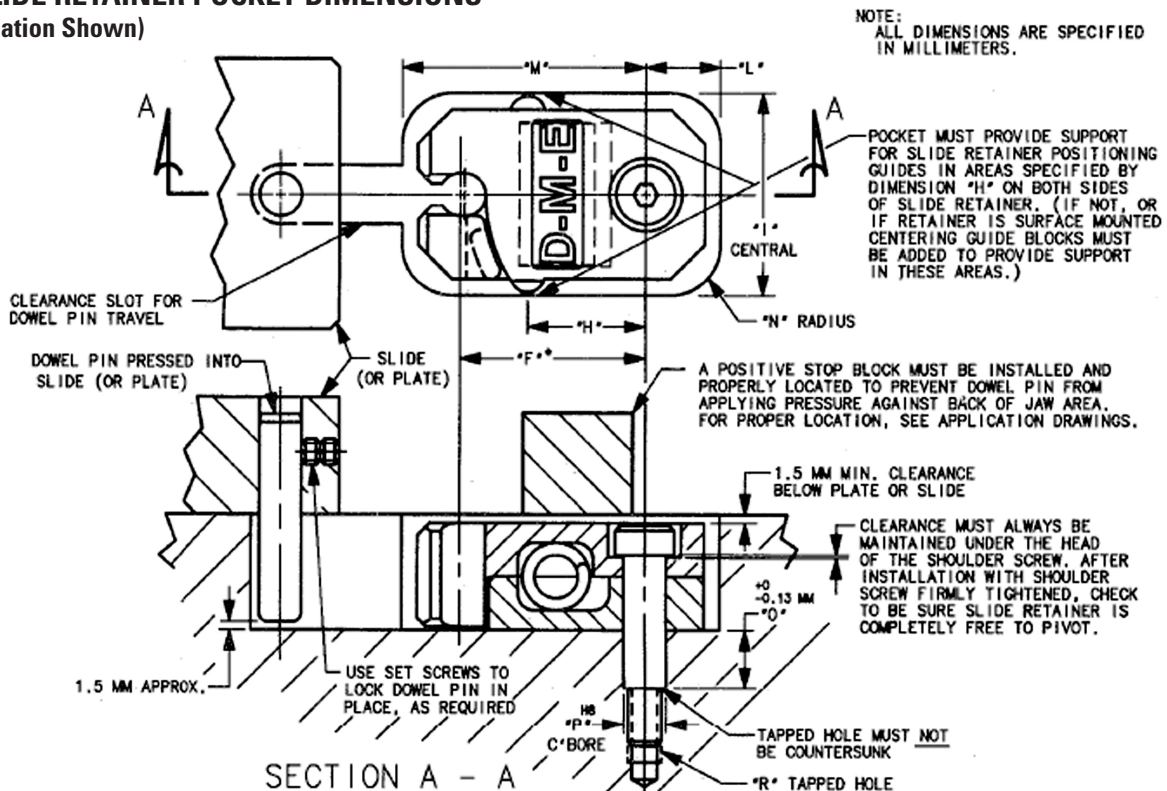
METRIC SLIDE RETAINER DIMENSIONS



*NOTE: REFER TO PAGE 2, NOTE 3, CONCERNING DIMENSION *F*, AS WELL AS, ADDITIONAL NOTES ON PAGE 2 CONCERNING BASIC DESIGN, INSTALLATION AND OPERATION GUIDELINES. THE DISTANCE FROM THE CENTER OF THE DOWEL PIN TO THE CENTER OF THE SHOULDER SCREW IS CRITICAL.

METRIC SLIDE RETAINER POCKET DIMENSIONS

(Slide Application Shown)



NOTE: ALL DIMENSIONS ARE SPECIFIED IN MILLIMETERS.



ME-M506-PS-051-A
PSM-9999
 US Patent # 4,961,702

29111 Stephenson Hwy.
 Madison Heights, MI 48071 USA
 800-626-6653

Metric Slide Retainer

INSTALLATION DATA

PLEASE READ CAREFULLY BEFORE INSTALLING METRIC SLIDE RETAINER
 REFER TO CHARTS & APPLICATION DRAWINGS FOR INSTALLATION DIMENSIONS

METRIC SLIDE RETAINER ASSEMBLY CONSISTS OF:

- (1) TOP-METRIC JAW PLATE
- (1) BOTTOM-METRIC JAW PLATE
- (1) COMPRESSION SPRING-CUSTOM DESIGN
- (1) METRIC SHOULDER SCREW-WITH THREAD LOCKING ELEMENT
- (1) METRIC DOWEL PIN

METRIC "PSM" SLIDE RETAINER ASSEMBLIES	
Catalog #	Max. Recommended Holding Weight
PSM-0001	100 Newtons
PSM-0002	200 Newtons
PSM-0003	400 Newtons

METRIC SLIDE RETAINER DIMENSIONS									
CATALOG #	"A" Dim.	"B" Dim.	"C" Dim.	"D" Dim.	"E" Dim.	"F" Dim.	"G" Dim.	"H" Dim.	"V" Cham.
PSM-0001	38	19	16	7	31.5	24.89	24.0	15.5	3.6
PSM-0002	54	32	20	11	43.0	34.93	36.5	22.5	6.4
PSM-0003	86	45	30	19	67.0	53.98	49.5	40.0	9.7

METRIC SLIDE RETAINER POCKET DIMENSIONS							METRIC SHOULDER SCREWS	
"M" Dim.	"L" Dim.	"I" Dim.	"N" Rad.	"R" Tapped Hole & Tap Depth below "C" Bore	"P" Dia, "C" Bore	"O" "C" Bore Depth	Max. Tightening Torque Nm	
34.5	10.0	25.5	8	M5 x 0.8 & 12mm Deep	6	8.5	10	
46.0	14.5	38.0	10	M6 x 1.0 & 15mm Deep	8	10.5	15	
70.0	22.5	51.0	12	M8 x 1.25 & 18mm Deep	10	17.0	20	

METRIC SLIDE RETAINER REPLACEMENT COMPONENTS							
SPRINGS-CUSTOM DESIGN	METRIC SHOULDER SCREWS WITH THREAD LOCKING ELEMENT				METRIC DOWL PINS		
CATALOG #	CATALOG #	NOM. SHOULDER DIA	SHOULDER LENGTH	THREAD	CATALOG #	"S" NOM. DIA.	"T" LENGTH
PSL-0006	PMN-0520	6	20	M5 X 0.8	DP6-32	6	30-32
PSL-0009	PMN-0625	8	25	M6 X 1.0	DP8-40	8	40
PSL-0012	PMN-0840	10	40	M8 X 1.25	DP10-60	10	60