

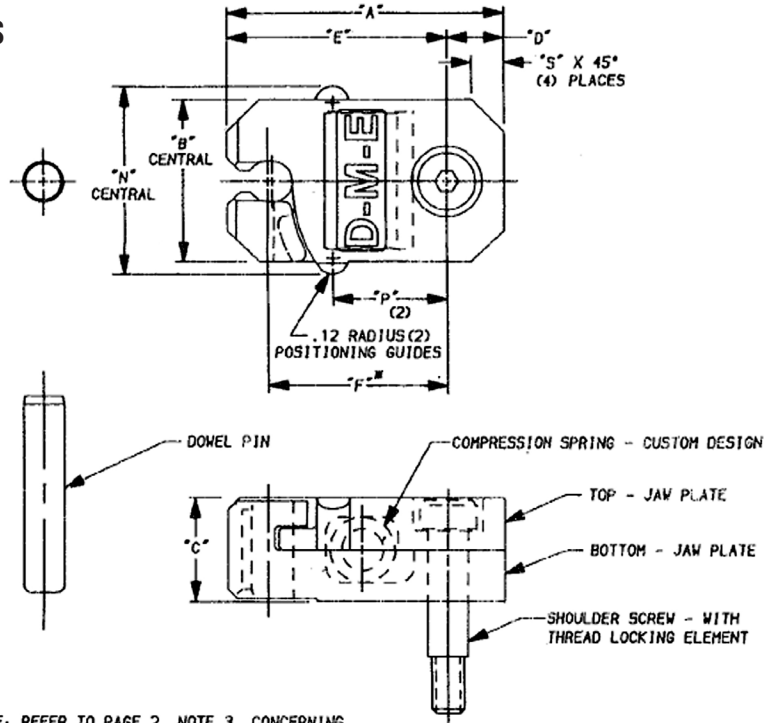


29111 Stephenson Hwy.
 Madison Heights, MI 48071 USA
 800-626-6653

Slide Retainer INSTALLATION DATA

PLEASE READ CAREFULLY BEFORE INSTALLING METRIC SLIDE RETAINER
 REFER TO CHARTS & APPLICATION DRAWINGS FOR INSTALLATION DIMENSIONS

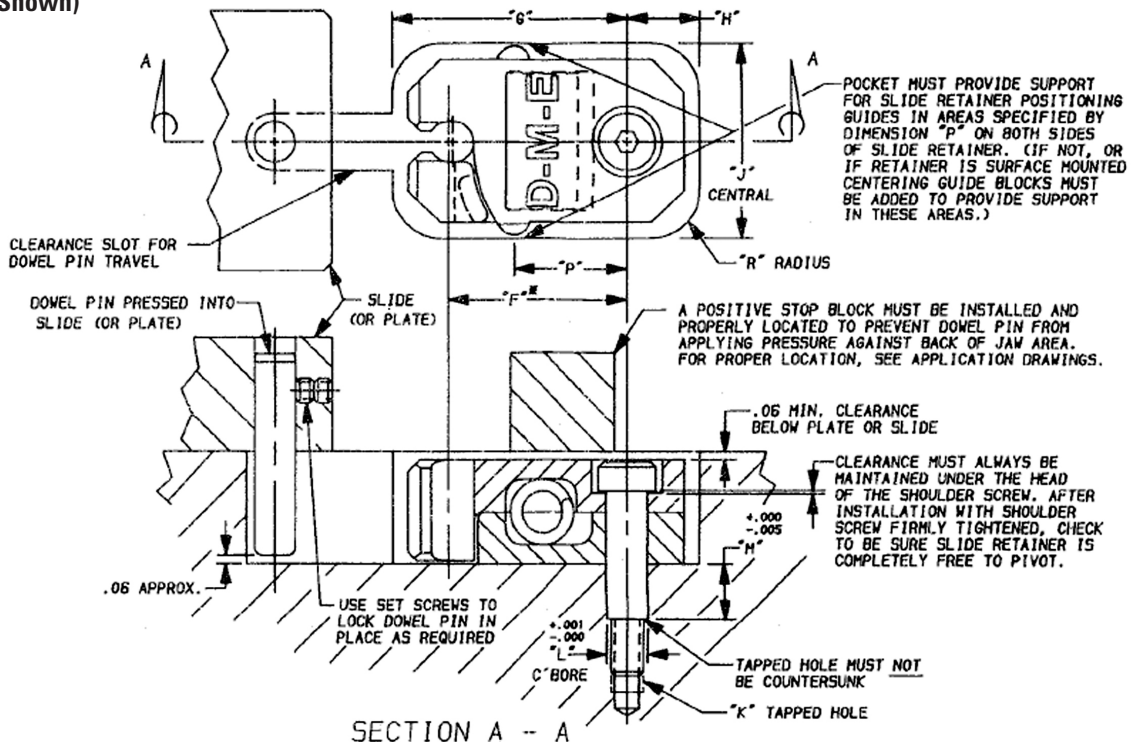
SLIDE RETAINER DIMENSIONS



NOTE: REFER TO PAGE 2, NOTE 3, CONCERNING DIMENSION "F", AS WELL AS, ADDITIONAL NOTES ON PAGE 2 CONCERNING BASIC DESIGN, INSTALLATION AND OPERATION GUIDELINES.

SLIDE RETAINER POCKET DIMENSIONS

(Slide Application Shown)





ME-M506-PS-050-A
PLS/ID
Patent Pending

29111 Stephenson Hwy.
 Madison Heights, MI 48071 USA
 800-626-6653

Slide Retainer

INSTALLATION DATA

PLEASE READ CAREFULLY BEFORE INSTALLING METRIC SLIDE RETAINER
 REFER TO CHARTS & APPLICATION DRAWINGS FOR INSTALLATION DIMENSIONS

SLIDE RETAINER ASSEMBLY CONSISTS OF:

- (1) TOP-JAW PLATE
- (1) BOTTOM-JAW PLATE
- (1) COMPRESSION SPRING-CUSTOM DESIGN
- (1) SHOULDER SCREW-WITH THREAD LOCKING ELEMENT
- (1) DOWEL PIN

SLIDE RETAINER ASSEMBLIES	
Catalog #	Max. Recommended Holding Weight
PSL-0001	22 LBS
PSL-0002	44 LBS
PSL-0003	88 LBS

SLIDE RETAINER DIMENSIONS									
CATALOG #	"A" Dim.	"B" Dim.	"C" Dim.	"D" Dim.	"E" Dim.	"F" Dim.	"N" Dim.	"P" Dim.	"S" Cham.
PSL-0001	1.50	.76	.63	.27	1.23	.980	.94	.61	.14
PSL-0002	2.13	1.26	.79	.44	1.69	1.375	1.44	.88	.25
PSL-0003	3.38	1.76	1.18	.75	2.63	2.125	1.94	1.57	.38

SLIDE RETAINER POCKET DIMENSIONS						
"G" Dim.	"H" Dim.	"J" Dim.	"R" Rad.	"R" Tapped Hole & Tap Depth below "C" Bore	"K" "C" Bore Depth	"L" Dia, "C" Bore
1.35	.39	1.00	.31	#10-24 X .50 DEEP	.249	.310
1.81	.56	1.50	.37	1/4-20 X .56 DEEP	.3115	.430
2.75	.88	2.00	.50	5/16-18 X .62 DEEP	.374	.580

SLIDE RETAINER REPLACEMENT COMPONENTS							
SPRINGS-CUSTOM DESIGN	SHOULDER SCREWS WITH THREAD LOCKING ELEMENT				DOWL PINS		
CATALOG #	CATALOG #	NOM. SHOULDER DIA	SHOULDER LENGTH	THREAD	CATALOG #	NOM. DIA.	LENGTH
PSL-0006	1434SBN	.250	.750	#10-24	14114DP	.250	1.25
PSL-0009	5161SBN	.312	1.000	1/4-20	516112DP	.312	1.50
PSL-0012	3811SBN	.375	1.500	5/16-18	38214DP	.375	2.25



29111 Stephenson Hwy.
Madison Heights, MI 48071 USA
800-626-6653

Slide Retainer INSTALLATION DATA

PLEASE READ CAREFULLY BEFORE INSTALLING METRIC SLIDE RETAINER
REFER TO CHARTS & APPLICATION DRAWINGS FOR INSTALLATION DIMENSIONS

BASIC DESIGN, INSTALLATION & OPERATION GUIDELINES

Initial and periodic lubrication must be applied as part of regular maintenance, every 100,000 cycles or more frequently as required. All metal-to-metal contact areas of slide retainers and its components must be lubricated. A good grade of moldmakers non-melting type grease for the appropriate temperature should be used.

Slide Retainer must not be operated at temperatures exceeding 225°F.

It is important to maintain dimension "F", the distance from the centerline of the dowel pin to the centerline of the shoulder screw plus installation tolerance as specified in application drawings.

A positive stop block must be installed and properly located to prevent dowel pin from applying pressure against back of jaw area (which could cause bending or shearing of dowel pin or shoulder screw.)

For proper location, see application drawings.

If two or more slide retainers are used, all retainers must be mounted uniformly for a balanced operation. When four PSL002 slide retainers with a rating of 44 pounds each are used, the total holding capacity is 176 pounds as long as the retainers are uniformly mounted.

Only one size of slide retainer must be used for any application when more than one unit is required.

Bottom of mounting pocket must provide a smooth surface for slide retainer to pivot freely.

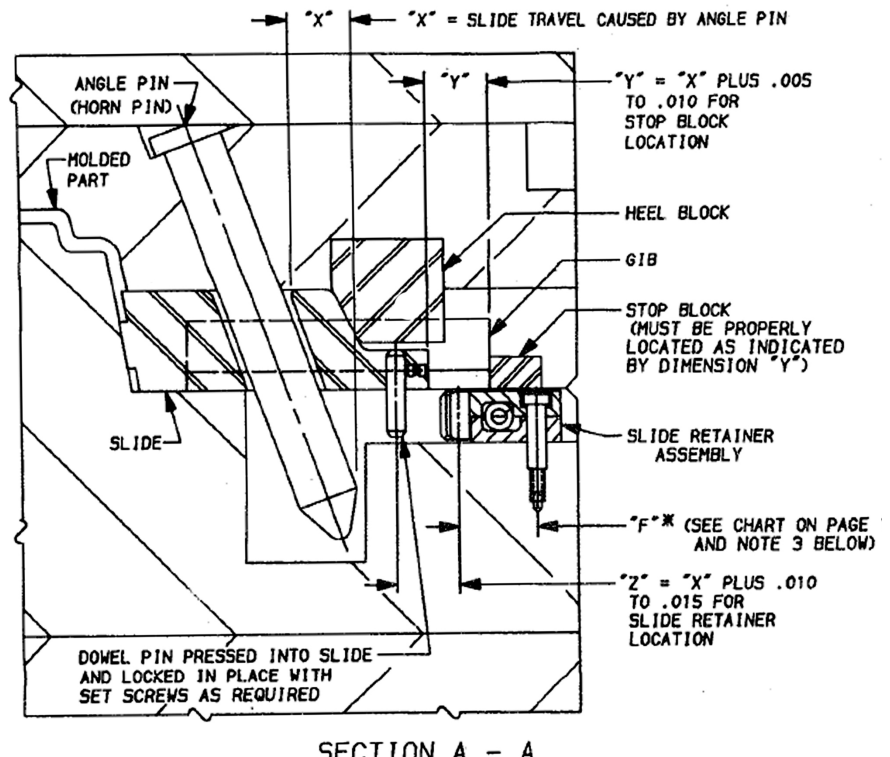
Drilling, tapping and C' boring for shoulder screw at a new location is required to retrofit new slide retainer into any application where previous slide retainer has been used. Mounting pocket must provide support for slide retainer positioning guides in areas specified by dimension "P" on both sides of slide retainer. If not, centering guide blocks must be added to provide support in these areas.

Replace slide retainer assembly whenever total wear in jaw area exceeds .015. Dowel pin must also be replaced whenever total wear exceeds .015.

Replace custom designed compression spring every 1,000,000 cycles. Use only DME custom designed compression springs for each size slide retainer, as specified in chart on page 2. Safety glasses must always be worn when working with, or compressing, springs. To remove or install springs, use vise grips to compress the spring just far enough to allow the spring to enter the spring pocket in top jaw plate. Place spring in pocket with spring O.D. close to edge of pocket nearest shoulder screw and with unground areas on ends of spring located toward shoulder screw.

Use only DME shoulder screws, as specified in chart on page 2, with thread locking element to prevent them from working or vibrating loose.

SLIDE APPLICATION



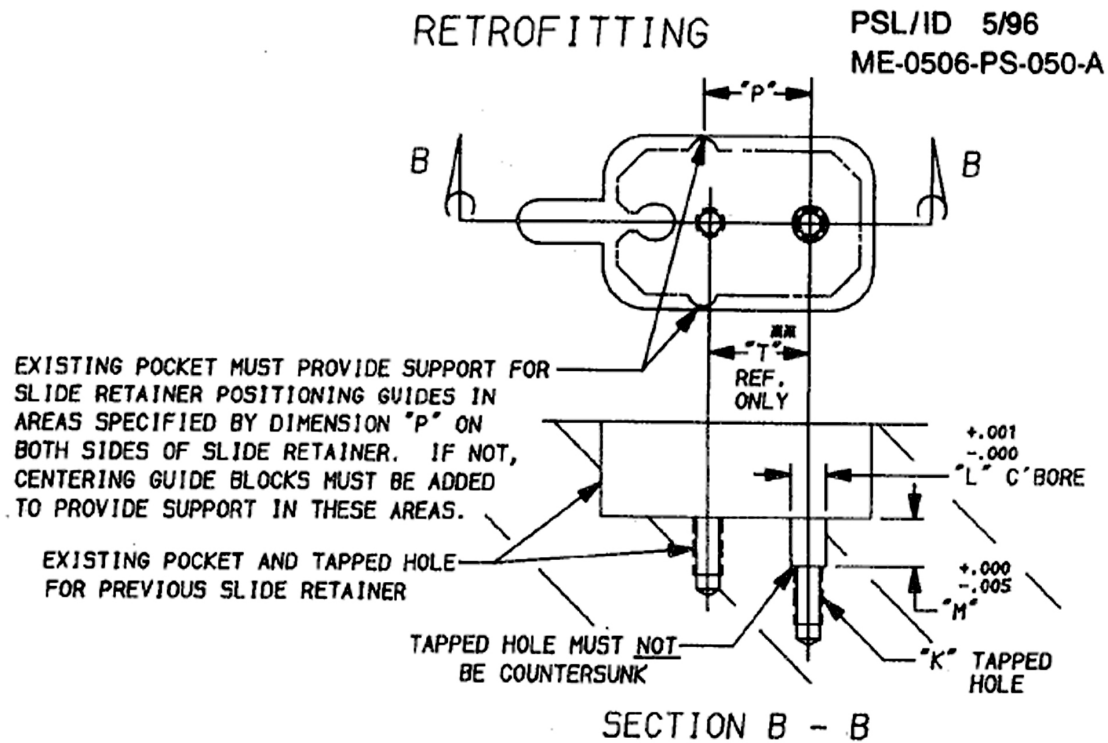


29111 Stephenson Hwy.
 Madison Heights, MI 48071 USA
 800-626-6653

Slide Retainer

INSTALLATION DATA

PLEASE READ CAREFULLY BEFORE INSTALLING METRIC SLIDE RETAINER
 REFER TO CHARTS & APPLICATION DRAWINGS FOR INSTALLATION DIMENSIONS



Retrofitting New Slide Retainer into Applications where previous Slide Retainer has been used						
Catalog #	Tapped Hole & Depth below C'Bore	"L" C'Bore	"M" C' Bore Depth	"P" Dim.	"T" Ref. Only	For Replacement of Slide Retainer Catalog #
PSL0001	#10-24 x .50	.249	.310	.61	.620	MRT-22
PSL0002	1/4-20 x .56	.3115	.430	.88	.875	MRT-44
PSL0003	5/16-18 x .62	.374	.580	1.57	1.325	MRT-88

Dimension "T" is for reference only. See Pages 1 & 2 for charts and application drawings to determine specific installation dimensions.