



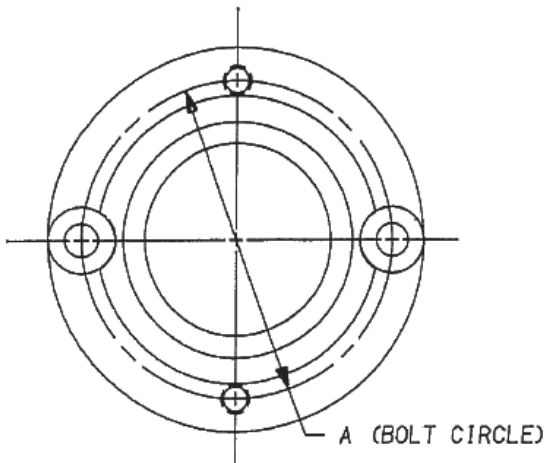
29111 Stephenson Hwy.
Madison Heights, MI 48071 USA
800-626-6653

THE HOT ONE INSTALLATION DATA

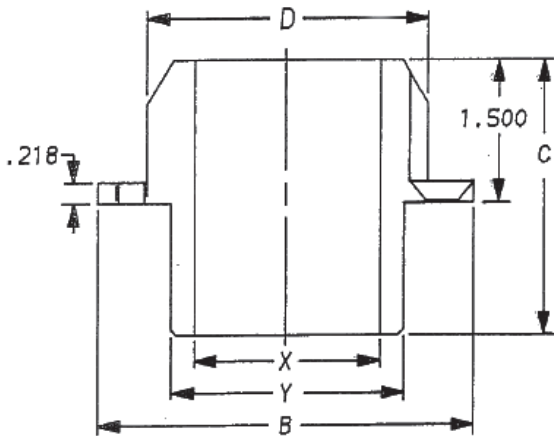
Locating Rings, Nozzle seats, Riser Pads, Spacer Rings & Center Support Pads

Refer to: Mini Print #1800
Please read carefully before installing components

Locating Rings



Catalog #	D Dia	X Dia	Y Dia	A Dim	B Dia	C Dim
EHL0252	2.990	2.000	2.500	3.312	4.000	2.875
EHL0253	3.990	3.250	3.750	4.625	5.500	2.875
EHL0254	2.990	2.000	2.500	3.312	4.000	4.500
EHL0255	3.990	3.250	3.750	4.625	5.500	4.500



All locating rings are supplied with: Two 5/16-18 x 1/2" Lg. Flat Head Screws.

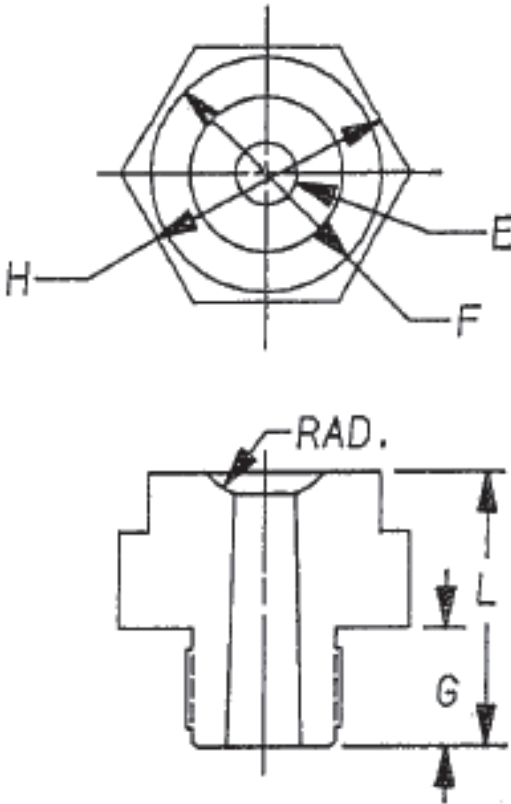
NOTE LOCATING RINGS: Customer to alter bottom of locating ring to provide .04/.06 clearance between the manifold surface and the bottom surface of the locating ring.

NOTE RISER PADS, SPACER RINGS, CENTER SUPPORT PADS: Customer to alter height of riser pads, spacer rings and center support pads to maintain equal distance between the mold base and the manifold. (All riser pads, spacer rings and center support pads have +.010/-.000 tolerances on their height.)



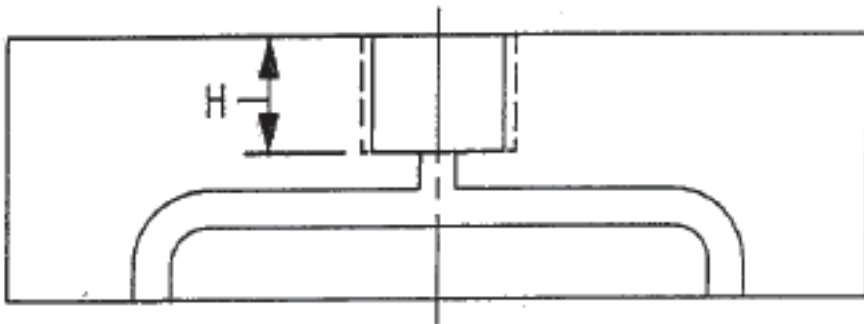
29111 Stephenson Hwy.
Madison Heights, MI 48071 USA
800-626-6653

Nozzle Seats



Catalog #	Rad.	E Dia	F Dia	L Dim	Thread Size	G Dim	H Hex
EHN0001	.500	.312	1.25	1.125	3/4-16	.62	1.50
EHN0002	.750						
EHN0003	.500	.375	1.50	1.750	1-12	.75	1.88
EHN0004	.750						

NOTE: Apply PTFE sealing compound to nozzle seat threads before installing into manifold. Recommended torque is 40/50 Lb/Ft. to tighten the nozzle seat.

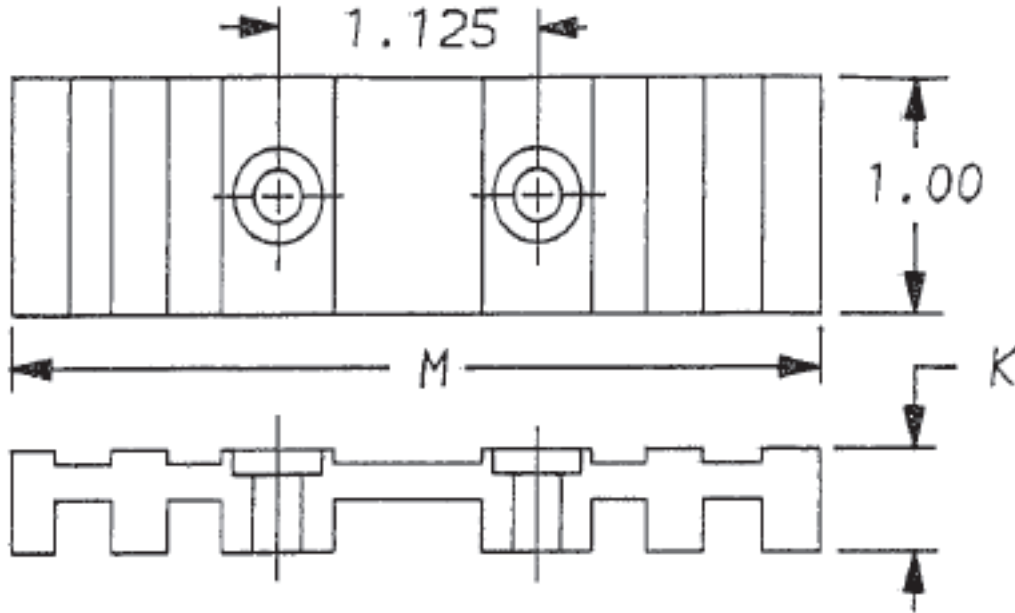


Catalog #	H Dim.
EHN0001	.56
EHN0002	
EHN0003	.69
EHN0004	



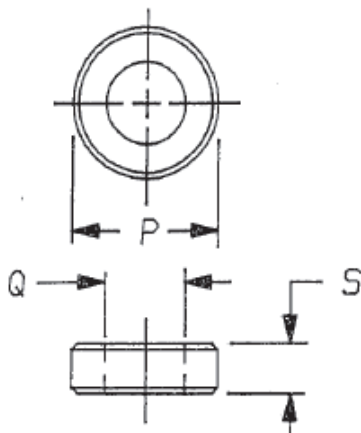
29111 Stephenson Hwy.
Madison Heights, MI 48071 USA
800-626-6653

Riser Pads



Catalog #	D Dia	X Dia	Y Dia
ERP0163	.250	4.000	GateMate 4, 250 & 375 Series
ERP0167	.375		
ERP0164	.750		
ERP0165	.250	5.000	625 Series
ERP0168	.375		
ERP0166	.750		

Spacer Rings

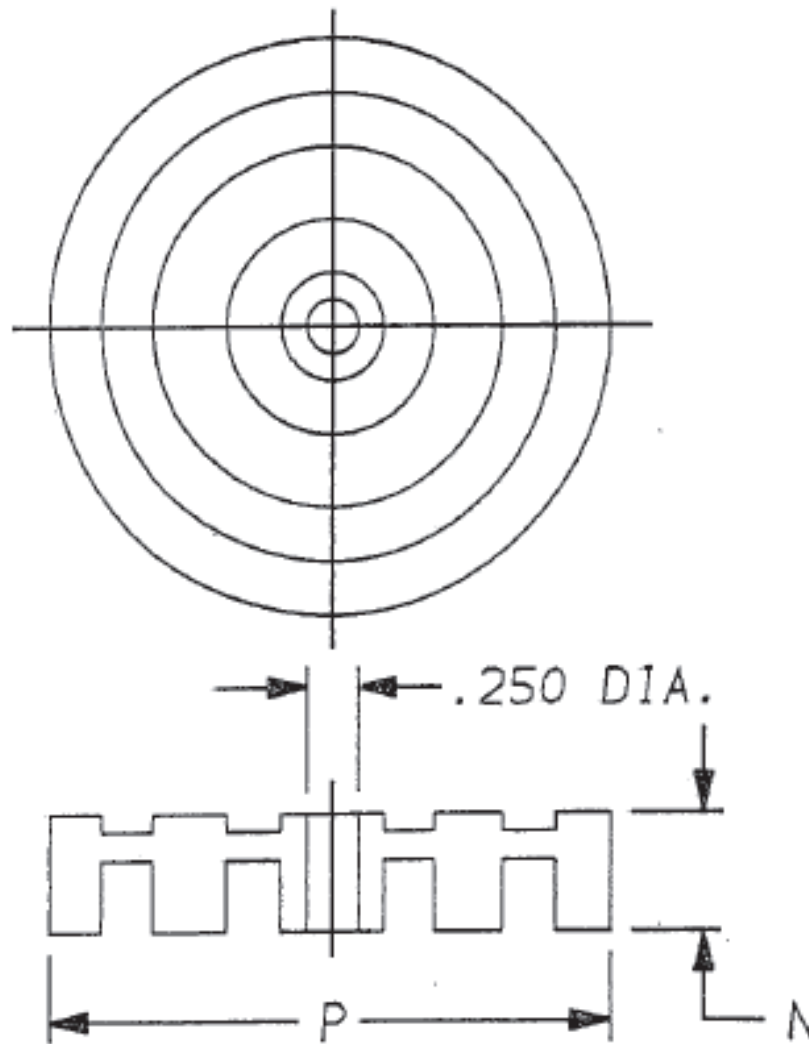


Catalog #	S Dim $+.010/-$ $.000$	Q Dia	P Dia	Used with S.H.C.S.
ESR0157	.250	.406	.75	3/8-16
ESR0158	.750			
ESR0159	.250	.531	.94	1/2-13
ESR0160	.750			



29111 Stephenson Hwy.
Madison Heights, MI 48071 USA
800-626-6653

Center Support Pads



Catalog #	N Dim. $+0.010/-0.000$	P Dia
ECB0161	2.50	2.500
ECB0162	7.50	
ECB0163	2.50	1.500
ECB0164	7.50	