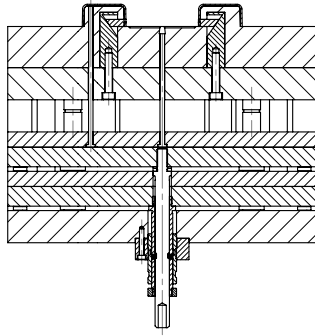
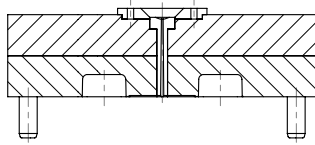


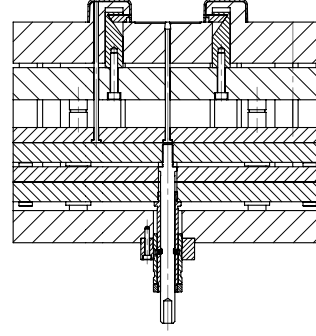
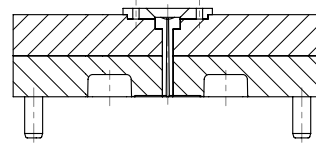
SECTION A-A

EJECTOR PLATES BACK - MOLD CLOSED



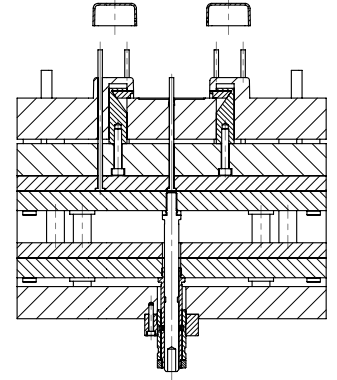
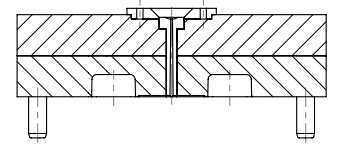
SECTION B-B

EJECTOR PLATES BACK - MOLD OPEN



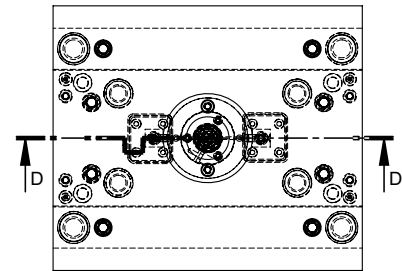
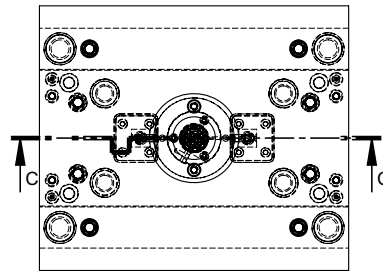
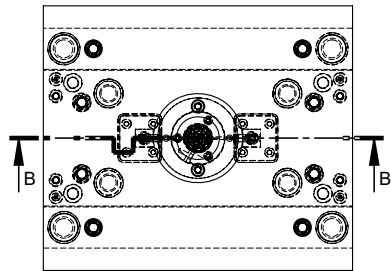
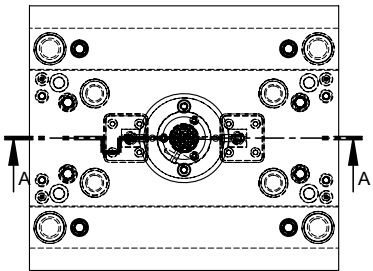
SECTION C-C

FIRST EJECTOR STROKE



SECTION D-D

SECOND EJECTOR STROKE



**TWO STAGE EJECTOR FW1800  
APPLICATION EXAMPLE 3**