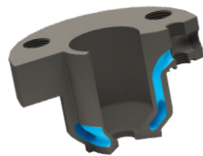




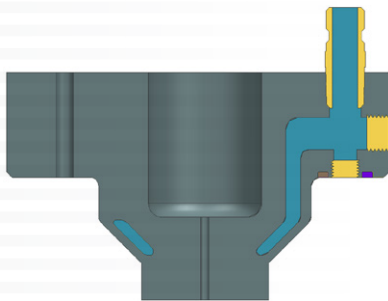
# DME COOLED GATE BUSHING

**DME's Conformal Cooled Gate Bushing** brings new capabilities to hot runner systems. You achieve greater control of the gate region which can eliminate splay, stringing, reduce warpage and of course, shorten cycle time. Achieve lower piece price and provide superior product with minimal investment.

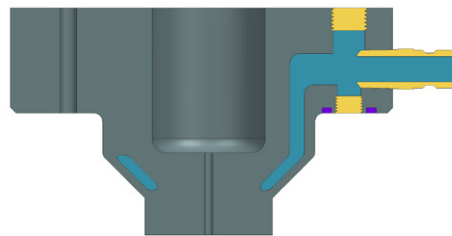
Applications range from automotive, such as lenses, to packaging like soup cups or lids and everything in-between. Benefits of conformal cooling now available without the need for an analysis process through standard conformal cooling components.



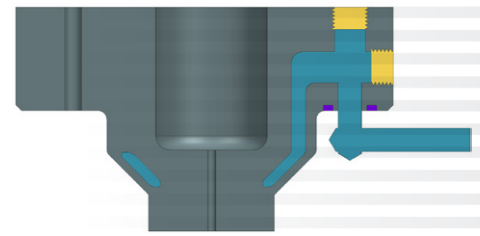
## OPTIONAL INLET CONFIGURATIONS



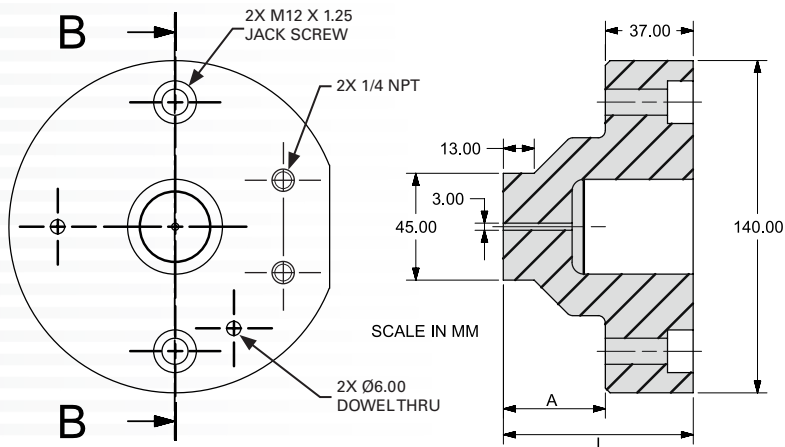
NPT threaded inlet on top.



NPT threaded inlet on side.



O-Ring inlet on bottom.



ITEM NUMBER PREFIX	A	L
14065TRUB	1 11/16" (43.00 mm)	3 5/32" (80.00 mm)
14100TRUB	3 5/64" (78.00 mm)	4 17/32" (115.00 mm)

**DME Cooled Gate Bushing** are a universal fit for multiple molding options and scenarios. They are supplied with surplus stock in the center bore. This allows the end user to mill a precise fitting orifice to house a wide variety of different drop shapes and configurations. The face of the insert also has surplus stock which allows you full control in the way that the face of the insert mates with the mold and/or resin part.



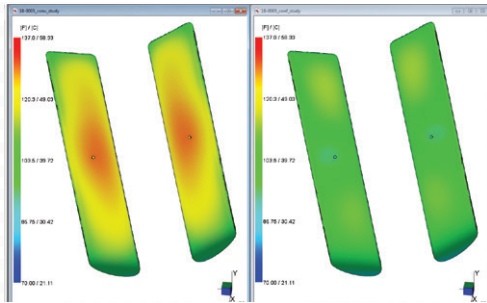
**DME Complete Thermal Management**



# MORE PARTS - BETTER QUALITY: BY INCORPORATING DME CONFORMAL COOLED COMPONENTS

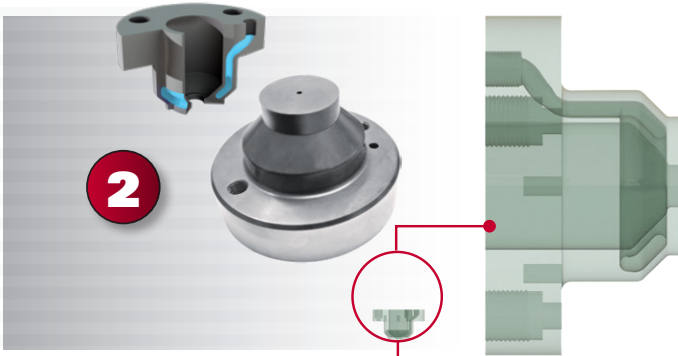
## INDUSTRY STANDARD CONFORMAL COOLED COMPONENTS

1



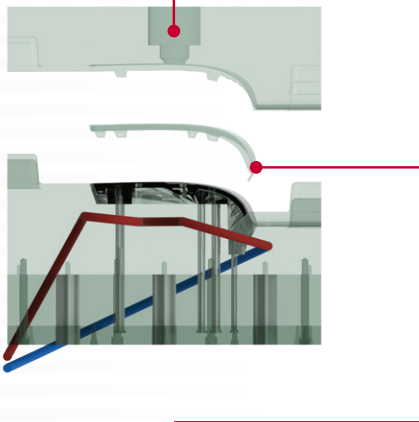
Let the experts at DME run  
**MOLD FLOW ANALYSIS  
& DESIGN** software.

2



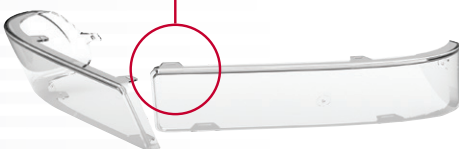
Determine the need for  
**STANDARDIZED OR  
CUSTOM DESIGNED**  
Conformal Cooled  
Components for best  
results.

3



Install DME Component,  
**ACHIEVE OPTIMUM  
RESULTS.**

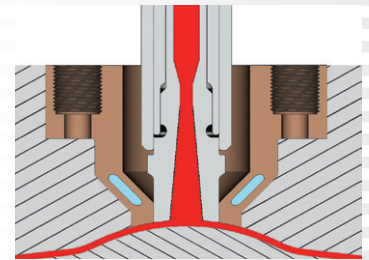
4



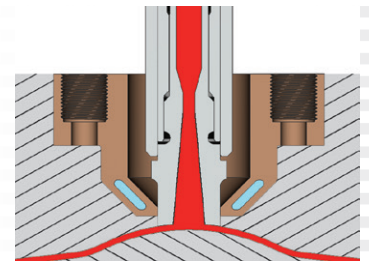
Achieve the end Product  
results **THAT EXCEED  
THE DEMAND.**

### FACE CONFIGURATIONS

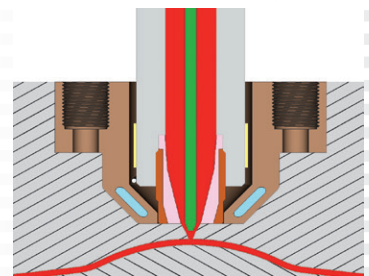
#### UNIVERSAL FIT



Exposed face (shown with contour)



Blind face with exposed drop tip



Blind face with valve gate